

Installation Instructions

LED high bay Light(Type F)

Important

READ INSTRUCTIONS CAREFULLY BEFORE INSTALLING. KEEP THIS INSTRUCTIONS FOR FUTURE REFERENCE

Fixtures must be wired in accordance with the National electrical code and all applicable local codes. Proper grounding is required for safety.

THIS PRODUCT MUST BE INSTALLED IN ACCORDANCE WITH THE APPLICABLE INSTALLATION CODE BY A QUALIFIED ELECTRICIAN WHO IS FAMILIAR WITH THE CONSTRUCTION AND OPERATION OF THE PRODUCT AND THE HAZARDS INVOLVED.

WARNING: Risk of fire or electric shock. High bay Light installation requires knowledge of luminaires and electrical systems. If not qualified, DO NOT try to install. Please contact an electrician.

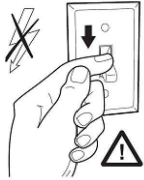
Risk of fire or electric shock. Suitable for wet locations. Make sure the power is off permier to install.

Risk of fire or electric shock. Suitable for non-insulated surface and frame. DO NOT cover fixture with insulation liner or similar material.

DO NOT install in unstable, loose or breakable surfaces.

DO NOT let objects impact or exert force on the surface of the fixture.

Installation and Electrical Connection



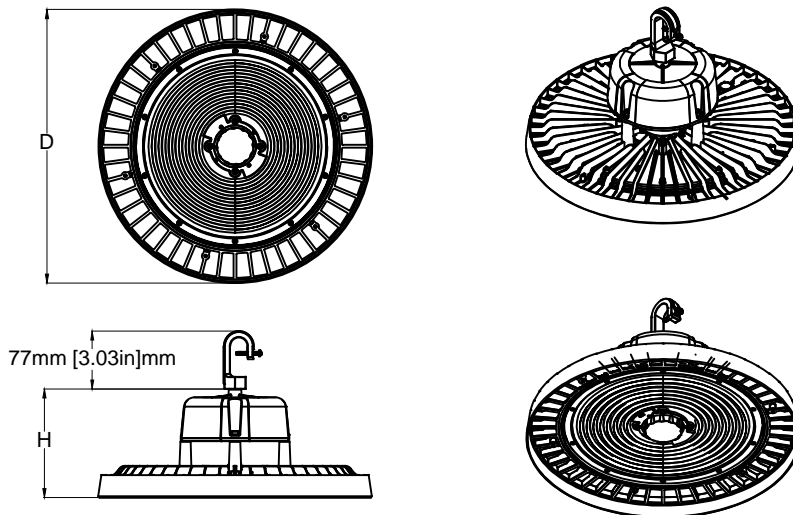
⚠ WARNING

RISK OF FIRE, ELECTRIC SHOCK OR PERSONAL INJURY
Before installation, turn power off.



The installation steps are as follows:

FLOOD-R Size:



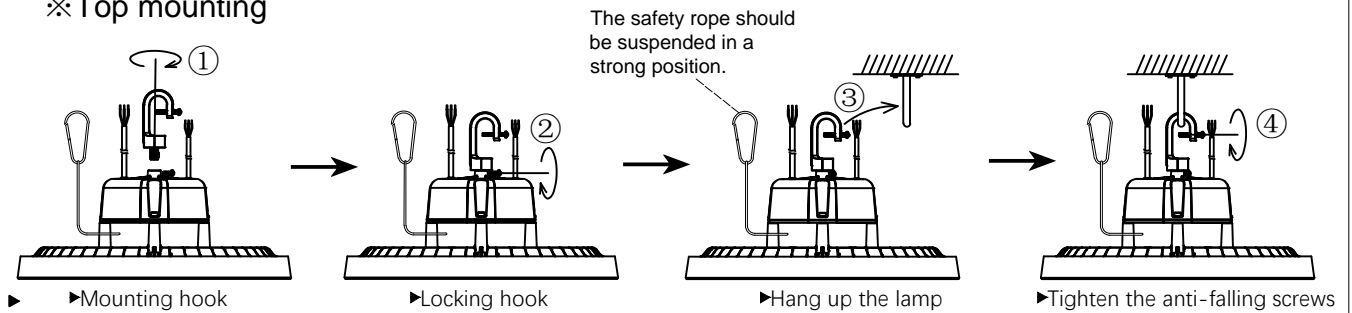
Size Table:

Model	Power-Max.	∅D	H
UFO-F1	150W	255mm (10.04in)	135mm (5.31in)
UFO-F2	200W	300mm (11.81in)	138mm (5.43in)
UFO-F3	240W	365mm (14.37in)	138mm (5.43in)
UFO-F4	300W	385mm (15.16in)	153mm (6.02in)

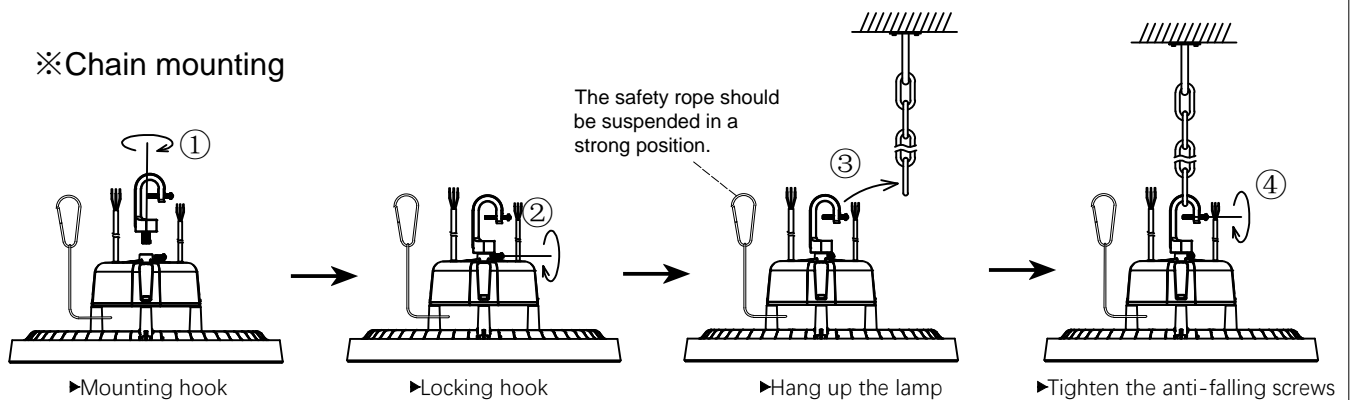
Installation and Electrical Connection

2 The installation steps are as follows:

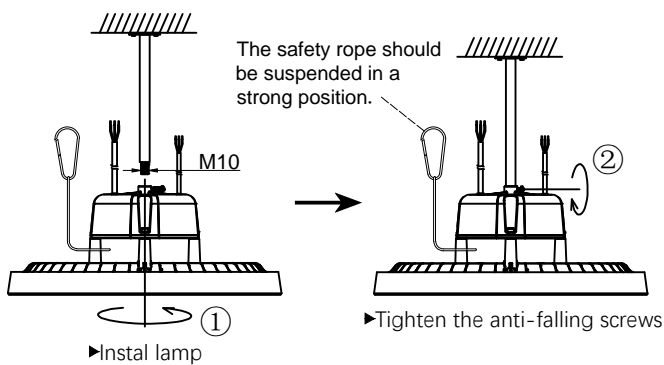
※Top mounting



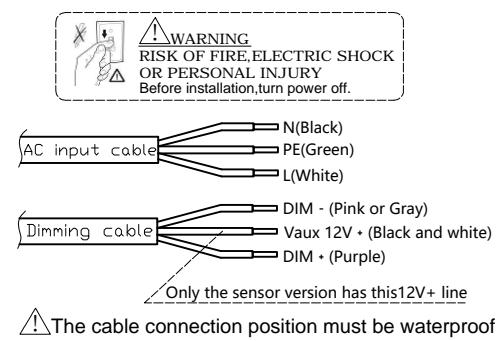
※Chain mounting



※Connecting rod mounting



※Connecting lamp cable



3 Sensor installation (Only the sensor version has this procedure)

