

30W-200W



IP65



30W-----200W

30W

50W

100W

150W

200W

Matters needing attention

- ◆ Before installing the lighting fixtures, please read this instruction manual carefully.
- ◆ The lighting fixtures should be installed, connected and tested by a certified electrician based on the local regulations.
- ◆ Lamps should always be installed or replaced carefully.
- ◆ Please check the local voltage in accordance with the product requirements before installation.
- ◆ Revamping only can be done when the power is off and the lamp is completely cooled down.
- ◆ When clean the lamp, make the power off and let it cool down completely, clean the fixture with a soft cloth and a standard PH neutral detergent, stainless steel should be maintained regularly.
- ◆ Don't cover the fixtures with flammable materials.
- ◆ Replace should be made by the manufacturer or his service agent or certified electrician in order to avoid a hazard.

Input Voltage	Power Frequency	Power Factor	Ingress protection	IK Level	Power Supply	CRI	Surge Voltage
AC220-240V	50/60Hz	>0.90	IP65	IK08	ZC POWER	>80Ra	4KV
Fixture Material	Beam Angle	Operating	Storage	SDCM	THD	Luminous Efficacy	Lifespan
ADC12 Aluminum alloy	120°	-30° C~+45° C	-40° C~+60° C	<6	<15%	140lm/w	>30000Hrs



IP65



Astro Floodlight 30w

Specifications

Optical Data

Wattage	30W
LED Type	Samsung
Efficiency	140Lm/W
Luminous Flux	4200Lm
CCT	3000K/4000K/5000K/5700K/6500K
Beam Angle	120°
CRI	>70Ra/80Ra
System Efficiency	>90%



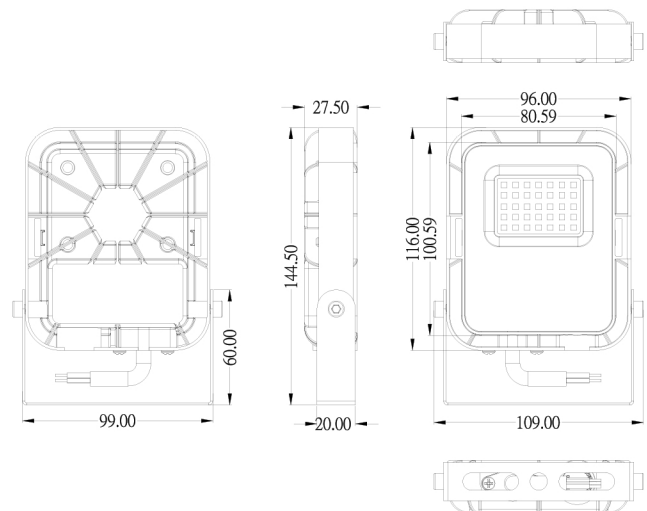
Electrical Data

PowerSupply	ZC Power
Input Voltage	AC220-240V
Power Frequency	50/60Hz
Output Voltage	DC80V
Power Efficiency	>93%
Power Factor	>0.9
Total Harmonic Distortion	<15%



Others

IP	IP65
Ik code	Ik08
Storage Temperature	-40~+ 70°C
Operating Temperature	-30~+ 45°C
Lifetime(L70 Standard)	>50000Hrs(Ta=30°C)
Heat Radiator	aluminium alloy
Panel material	Glass
size	L144.5*W109*H27.5mm
Net weight	0.6kg
Gross Weight	0.8kg
Inner box size	L115XW35XH155mm 1 PC
Outer box size	L520XW310XH225mm 20 PC



IP65



Astro Floodlight 50w

Specifications

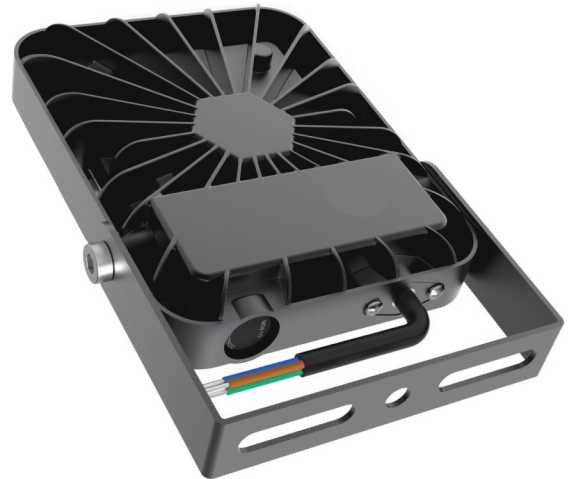
Optical Data

Wattage	50W
LED Type	Samsung
Efficiency	140Lm/W
Luminous Flux	7000Lm
CCT	3000K/4000K/5000K/5700K/6500K
Beam Angle	120°
CRI	>70Ra/80Ra
System Efficiency	>90%



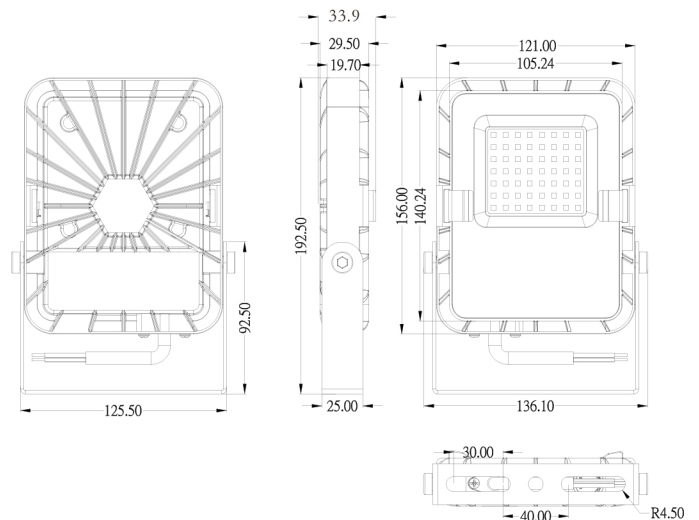
Electrical Data

PowerSupply	ZC Power
Input Voltage	AC220-240V
Power Frequency	50/60Hz
Output Voltage	DC80V
Power Efficiency	>93%
Power Factor	>0.9
Total Harmonic Distortion	<15%



Others

IP	IP65
Ik code	Ik08
Storage Temperature	-40~+ 70°C
Operating Temperature	-30~+ 45°C
Lifetime(L70 Standard)	>50000Hrs(Ta=30°C)
Heat Radiator	aluminium alloy
Panel material	Glass
size	L192.5*W196.1*H33.9mm
Net weight	1.1kg
Gross Weight	1.3kg
Inner box size	L145XW45XH205mm 1 PC
Outer box size	L540XW430XH260mm 20 PC



IP65



Astro Floodlight 100w

Specifications

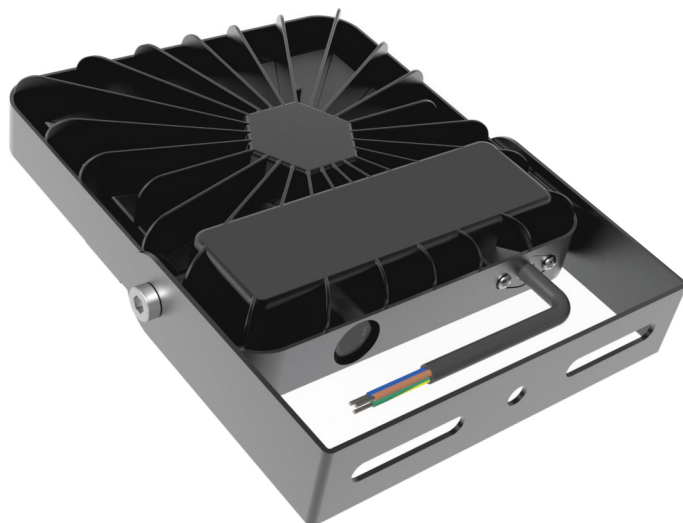
Optical Data

Wattage	100W
LED Type	Samsung
Efficiency	140Lm/W
Luminous Flux	14000Lm
CCT	3000K/4000K/5000K/5700K/6500K
Beam Angle	120°
CRI	>70Ra/80Ra
System Efficiency	>90%



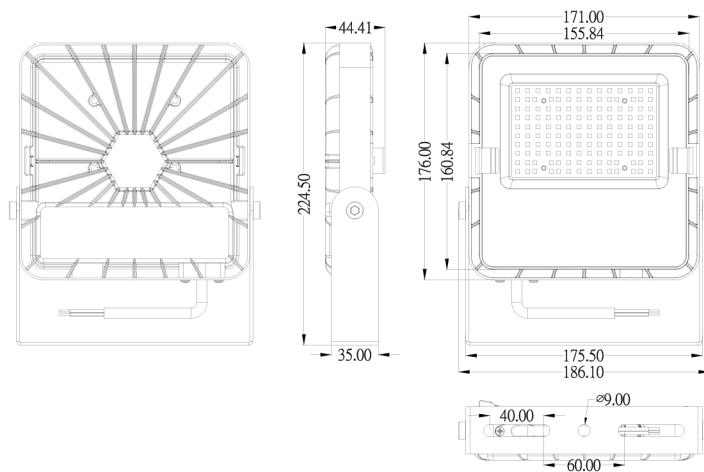
Electrical Data

PowerSupply	ZC Power
Input Voltage	AC220-240V
Power Frequency	50/60Hz
Output Voltage	DC460-480V
Power Efficiency	>93%
Power Factor	>0.9
Total Harmonic Distortion	<15%



Others

IP	IP65
Ik code	Ik08
Storage Temperature	-40~+ 70°C
Operating Temperature	-30~+ 45°C
Lifetime(L70 Standard)	>50000Hrs(Ta=30°C)
Heat Radiator	aluminium alloy
Panel material	Glass
size	L224.5*W186.1*H44.41mm
Net weight	1.5kg
Gross Weight	1.8kg
Inner box size	L205XW50XH240mm 1 PC
Outer box size	L590XW235XH320mm 10 PC



IP65

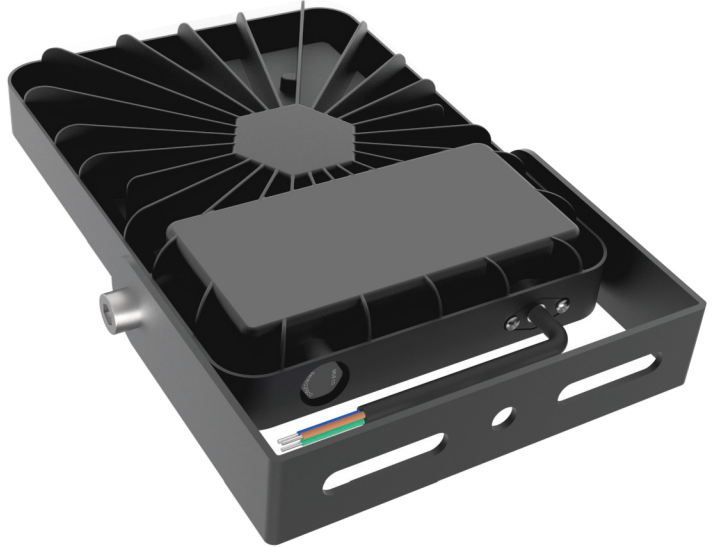


Astro Floodlight 150w

Specifications

Optical Data

Wattage	150W
LED Type	Samsung
Efficiency	140Lm/W
Luminous Flux	21000Lm
CCT	3000K/4000K/5000K/5700K/6500K
Beam Angle	120°
CRI	>70Ra/80Ra
System Efficiency	>90%

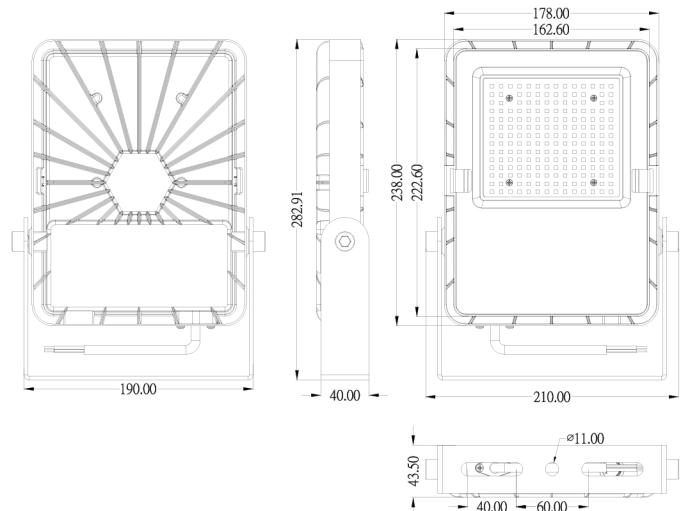


Electrical Data

PowerSupply	ZC Power
Input Voltage	AC220-240V
Power Frequency	50/60Hz
Output Voltage	DC460V-480V
Power Efficiency	>93%
Power Factor	>0.9
Total Harmonic Distortion	<15%

Others

IP	IP65
Ik code	Ik08
Storage Temperature	-40~+ 70°C
Operating Temperature	-30~+ 45°C
Lifetime(L70 Standard)	>50000Hrs(Ta=30°C)
Heat Radiator	aluminium alloy
Panel material	Glass
size	L282.9*W210*H43.5mm
Net weight	1.8kg
Gross Weight	2.1kg
Inner box size	L220XW55XH300mm 1 PC
Outer box size	L590XW275XH370mm 10 PC

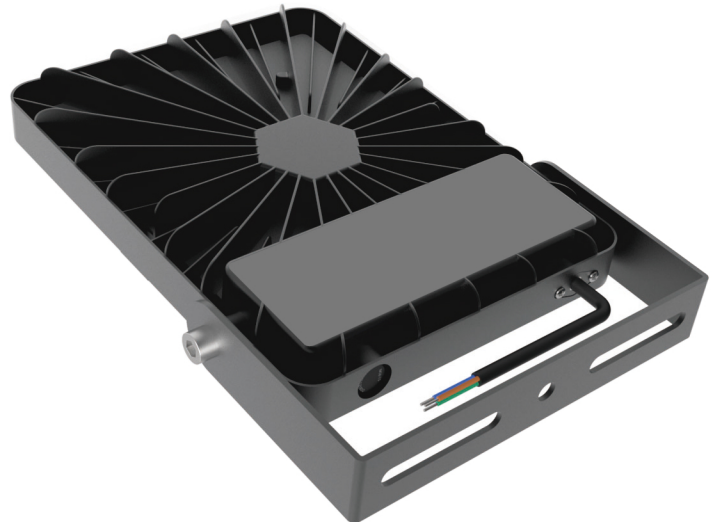
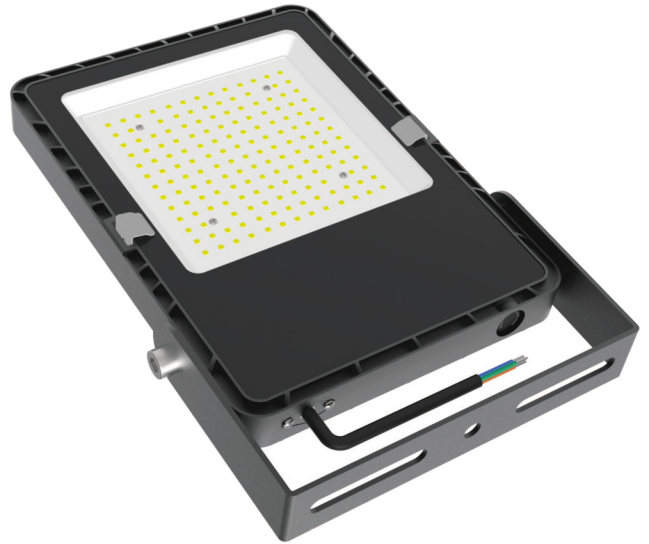


Astro Floodlight 200w

Specifications

Optical Data

Wattage	200W
LED Type	Samsung
Efficiency	140Lm/W
Luminous Flux	28000Lm
CCT	3000K/4000K/5000K/5700K/6500K
Beam Angle	120°
CRI	>70Ra/80Ra
System Efficiency	>90%

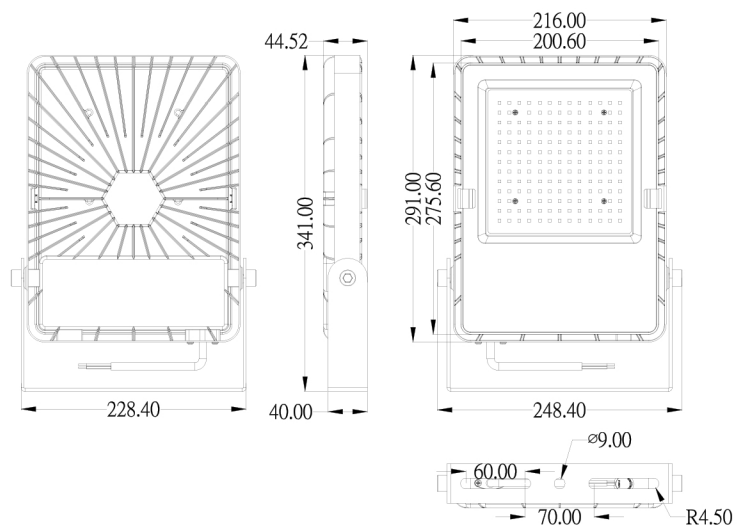


Electrical Data

PowerSupply	ZC Power
Input Voltage	AC220-240V
Power Frequency	50/60Hz
Output Voltage	DC460V-480V
Power Efficiency	>93%
Power Factor	>0.9
Total Harmonic Distortion	<15%

Others

IP	IP65
Ik code	Ik08
Storage Temperature	-40~+ 70°C
Operating Temperature	-30~+ 45°C
Lifetime(L70 Standard)	>50000Hrs(Ta=30°C)
Heat Radiator	aluminium alloy
Panel material	Glass
size	L341*W248.4*H44.5mm
Net weight	2.0kg
Gross Weight	2.3kg
Inner box size	L260XW55XH350mm 1 PC
Outer box size	L590XW320XH400mm 10 PC



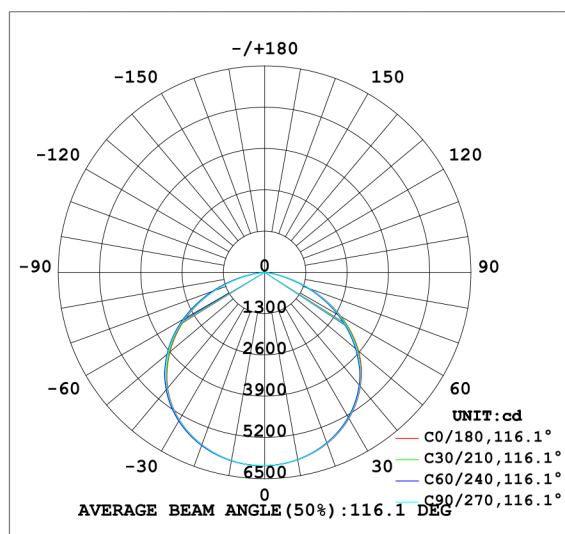
IP65



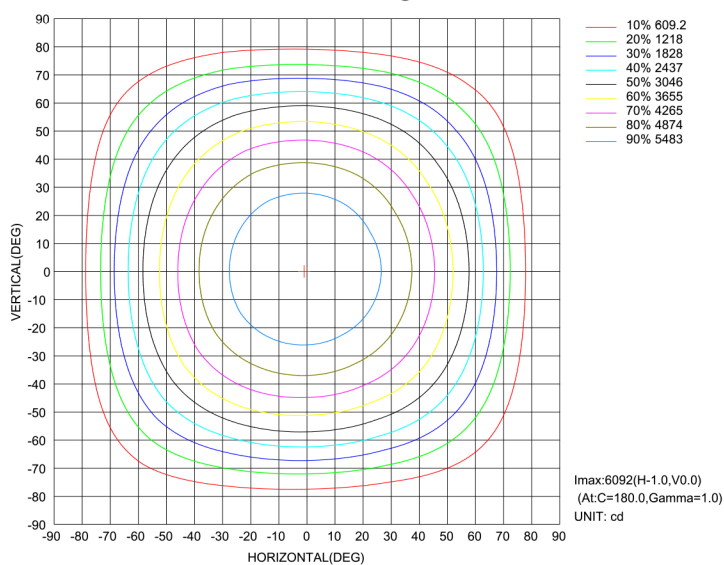
Beam Angle

120°

Luminous intensity distribution diagram



Isocandela diagram



IP65

