

ThermoGaurd



LED High Bay Light

Description

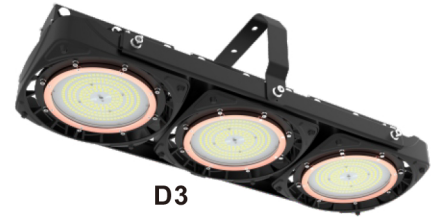
Venas High Temperature High Bay Light, is suitable for use in ambient high temperature working areas where operation temperature may reach 158°F(70°C), such as steel plant, aluminum smelter, and other high-temperature, dust, corrosive gas environment.

The HB Series high heat resistant lights combine great optical performance, energy efficiency and outstanding versatility to meet the requirements of lighting applications in high-temperature, dust, corrosive gas environment, delivering a wide range of light outputs.

The enclosure body is made of aluminum with corrosion-resistant coating which protects against overheating damage.



D1



D3



D2



D4

Specifications

Model	HB-xxxW-D1YZD	HB-xxxW-D2YZD	HB-xxxW-D3YZD	HB-xxxW-D4YZD
Wattage	100-150W	200-300W	300-450W	400-600W
Input Voltage	AC120-277V / AC277-480V, 50/60Hz			
Efficiency	150lm/W			
Beam Angle	120°			
CRI	>70			
Color Temperature (CCT)	2200K-7000K			
Ambient Temperature	-40°C to +70°C (-40°F to +158°F)			
LED Type	SMD 5050/3535/3030			
Enclosure Body	Aluminum			
IP Rating	IP66			
IK Rating	IK09			
Lifespan	50,000 hours			
Warranty	5 years			

Ordering Guide

Example: HB-100W-D1N50D120

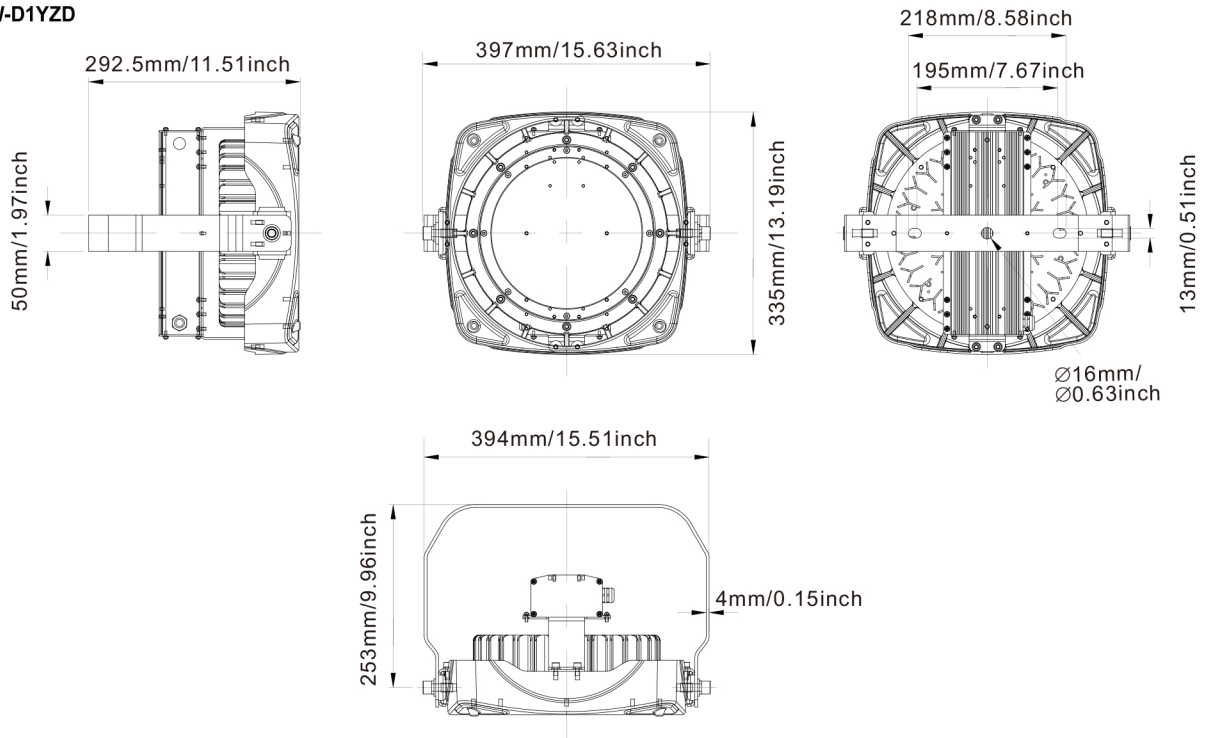
HB	100W	D1	N	50	D120
Product Category	Wattage	Model Number	Dimming Option	Color Temperature (CCT)	Beam Angle
High Bay Light	D1: 100-150W D2: 200-300W D3: 300-450W D4: 400-600W	D1: one module D2: two modules D3: three modules D4: four modules	D = Dimmable N = Non-dimmable	22 = 2200K, 30 = 3000K, 40 = 4000K, 50 = 5000K, 57 = 5700K, ..., 70 = 7000K	D120: 120°

Packing Information

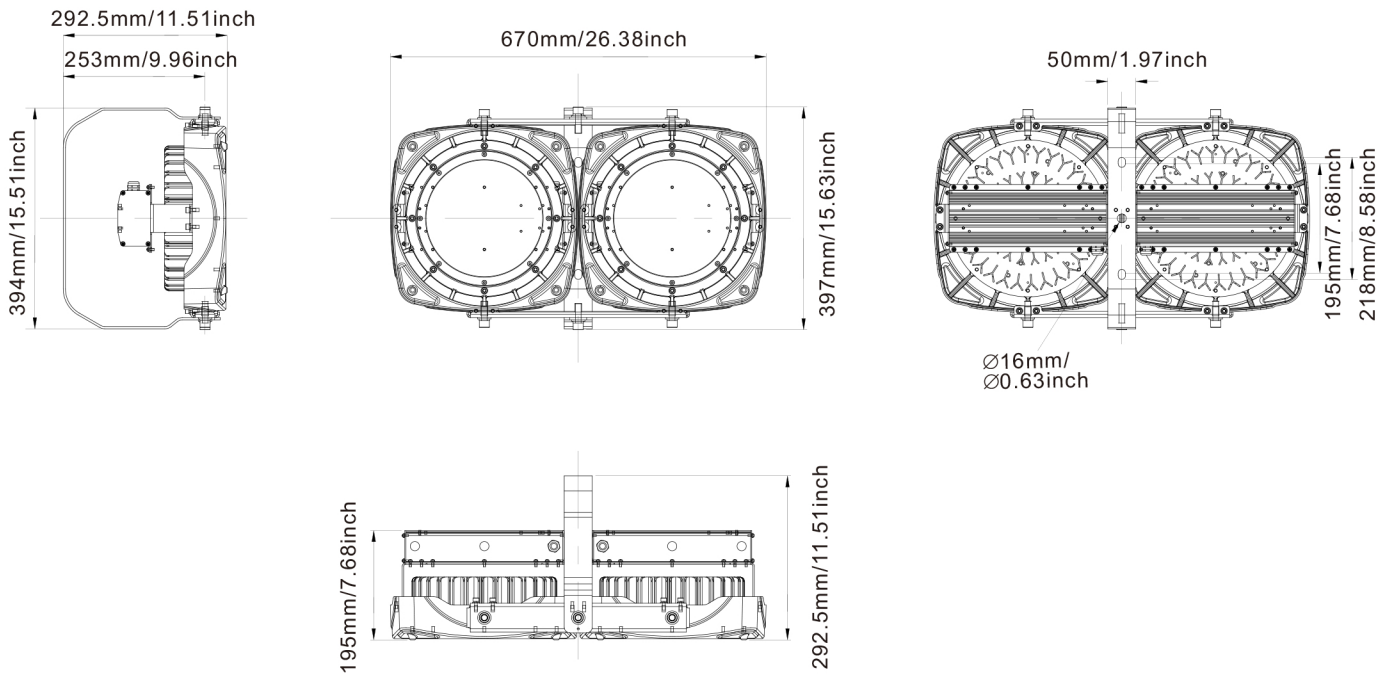
Model	Qty/Carton	Packing Size	Net Weight	Gross Weight
HB-xxxW-D1YZD	1 pc	510x450x415mm (20.08x17.71x16.34 inch)	8kg (17.63 lbs)	10kg (22.04 lbs)
HB-xxxW-D2YZD	1 pc	780x510x415mm (30.71x20.08x16.34 inch)	16kg (35.27 lbs)	18kg (39.68 lbs)
HB-xxxW-D3YZD	1 pc	1115x510x415mm (43.90x20.08x16.34 inch)	25kg (55.11 lbs)	27kg (59.52 lbs)
HB-xxxW-D4YZD	1 pc	855x780x415mm (33.66x30.71x16.34 inch)	32.5kg (71.65 lbs)	35kg (77.16 lbs)

Dimensions

HB-xxxW-D1YZD

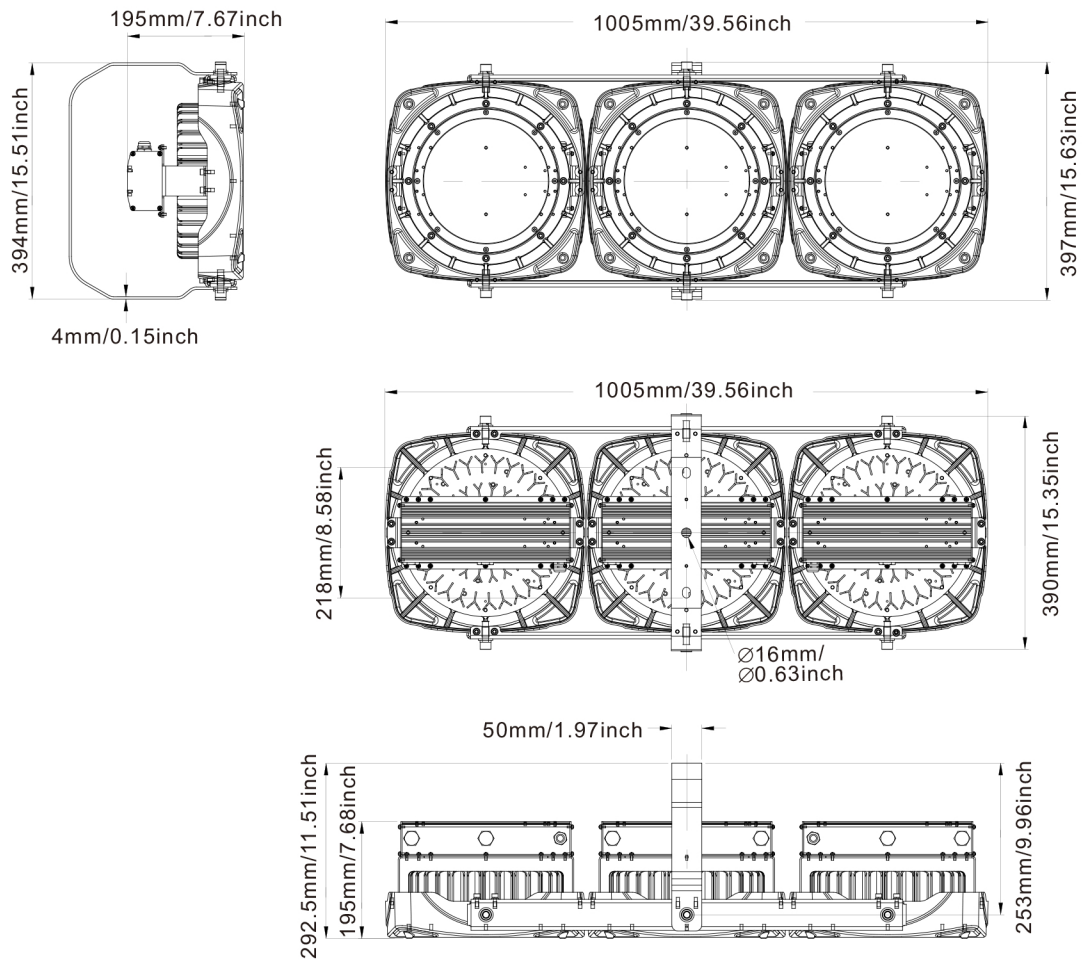


HB-xxxW-D2YZD

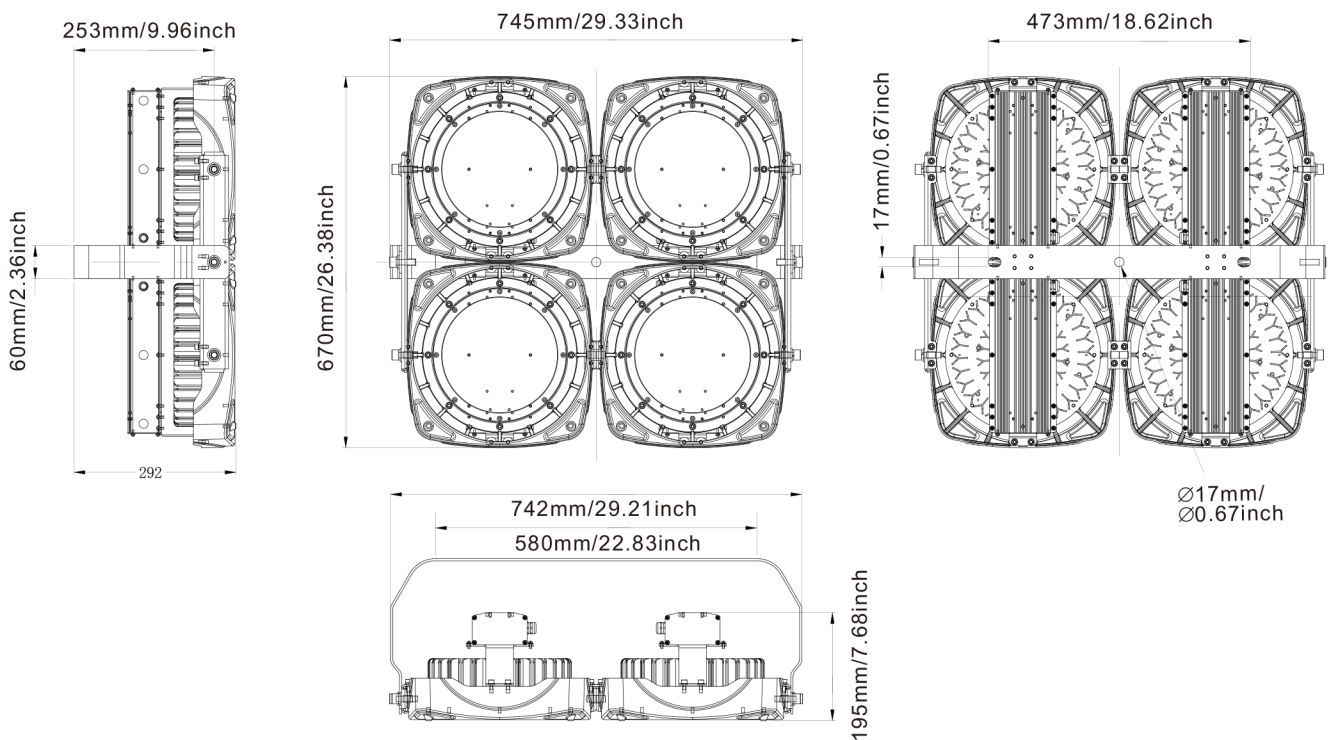


Dimensions (continued)

HB-xxxW-D3YZD

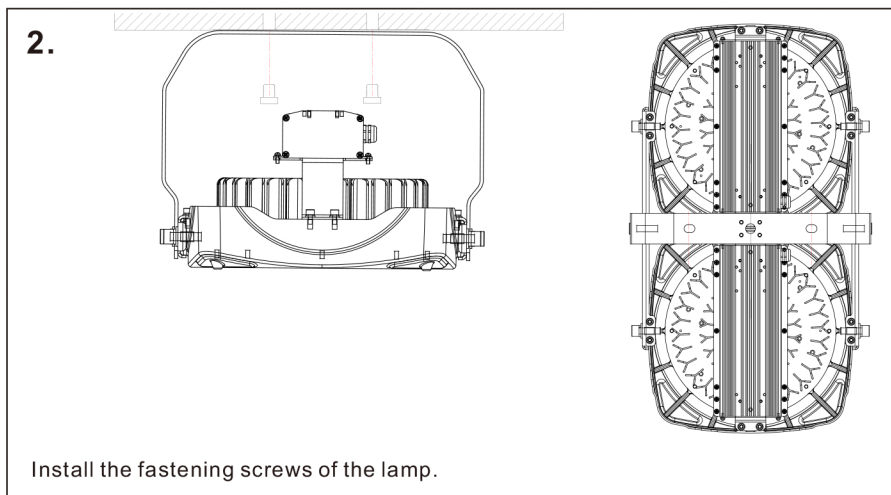
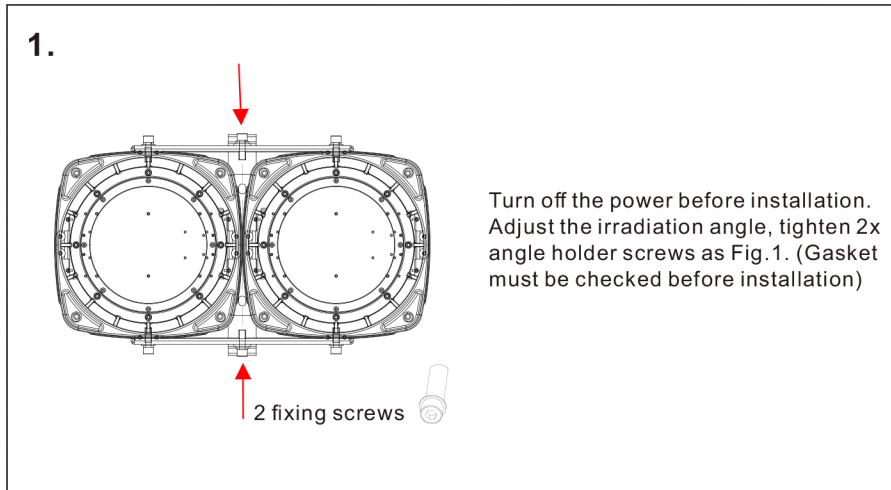


HB-xxxW-D4YZD



Mounting Method

Bracket Mounting (default method with mounting kits included in package):






3. Connect the earthing cable to external bonding location.

4. Installation completed.

Accessories

Customers can purchase single-module light fixture(D1) and assemble them into two-module(D2), three-module(D3), and four-module fixture(D4) by themselves. The required accessories are shown in the table below.

Type of Accessories	D2	D3	D4
U shaped Bracket 	Quantity: 0	Quantity: 0	Quantity: 1 pcs Dimensions: 738x280x60mm
Connecting Plate 	Quantity: 2 pcs Dimensions: 397x51.5x21mm	Quantity: 2 pcs Dimensions: 732x51.5x21mm	Quantity: 2 pcs Dimensions: 397x51.5x21mm
M12*25mm Screw 	Quantity: 6	Quantity: 6	Quantity: 6
Washer	Quantity: 6	Quantity: 6	Quantity: 6
Spring Washer	Quantity: 6	Quantity: 6	Quantity: 6
3-way Water-proof Connector	Quantity: 1	Quantity: 2	Quantity: 3