



230V High Voltage Mains LED Strip Light 2700K/3000K/5000K 6500K





230V High Voltage Mains LED Strip Light 2700K/3000K/5000K/6500K

Compliance

This product meets **CE** and **RoHS**, ensuring compliance with safety, environmental, and regulatory requirements, delivering reliable performance, reduced hazardous substances, and certified quality for professional and everyday applications.





230V High Voltage Mains LED Strip Light 2700K/3000K/5000K/6500K

Product Description

Bring powerful, efficient illumination to any space with the 230V High Voltage Mains LED Strip Light, engineered for both indoor and outdoor applications. Designed for direct connection to mains power, this high-performance LED strip eliminates the need for bulky drivers, making installation quick, clean, and cost-effective.

With a low energy consumption of just 10W per metre, it delivers impressive brightness of up to 1000 lumens, ensuring exceptional lighting performance while helping reduce energy costs.

Warranty

2 Year Standard Warranty





230V High Voltage Mains LED Strip Light 2700K/3000K/5000K/6500K

Wattage:	10w/m
Lumens:	2700k & 3000k versions: 900lm 4000k & 6500k versions: 1000lm
Colour Temperature:	2700K, 3000K, 5000K or 6500K
Dimmable?	
Beam Angle:	Up to 180°
Voltage input:	230V
IP Rating:	IP65
Lifespan:	50,000 Hours
CRI:	>80
Working Temperature:	-25°C to 45°C
Power Factor:	>0.9
Warranty:	2 Year Warranty
Dimensions/Cut out:	W: 9.2mm X H:4.2mm
Certificates:	CE/RoHS
Application:	Product is suitable for hotels, shopping centres, home furnishing, cabinets, exhibition racks, as well as outdoor uses as this product holds an IP rating of IP65.





230V High Voltage Mains LED Strip Light 2700K/3000K/5000K/6500K

Images



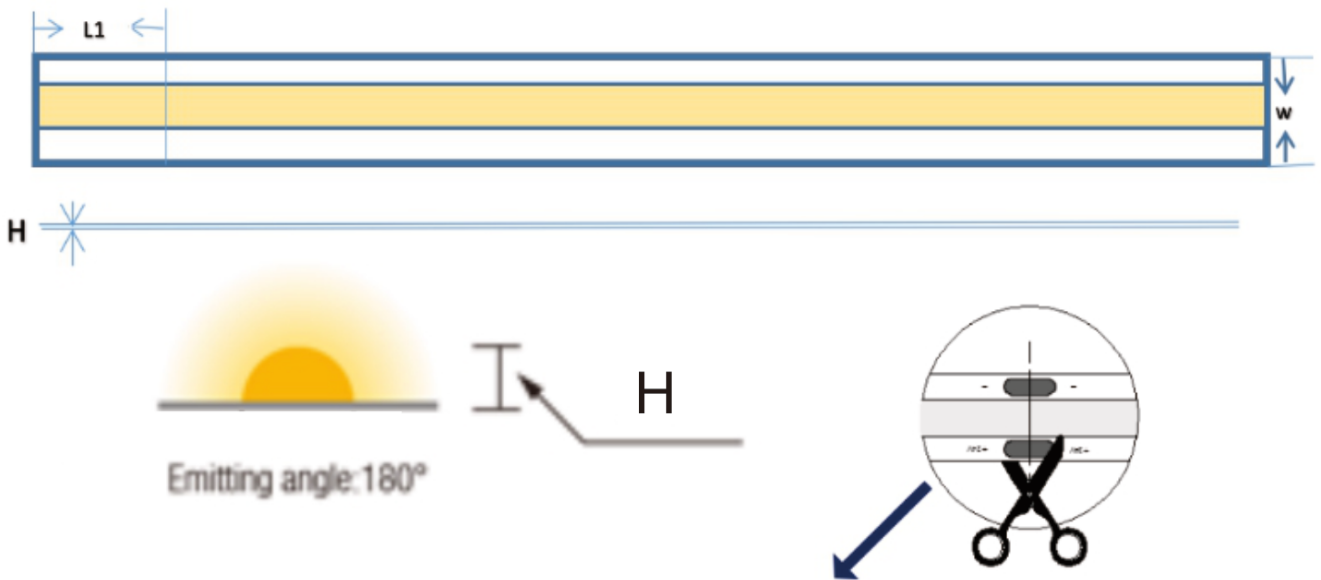
This product is suitable for hotels, shopping malls, home furnishing, cabinets, exhibition racks





230V High Voltage Mains LED Strip Light 2700K/3000K/5000K/6500K

Dimensions



Note : The strips can be easily cut and used

L1	W	H
500mm	9.2mm	4.2mm

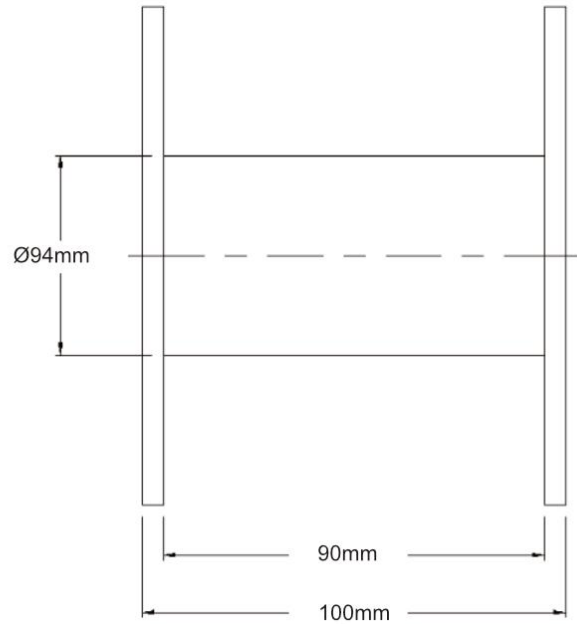
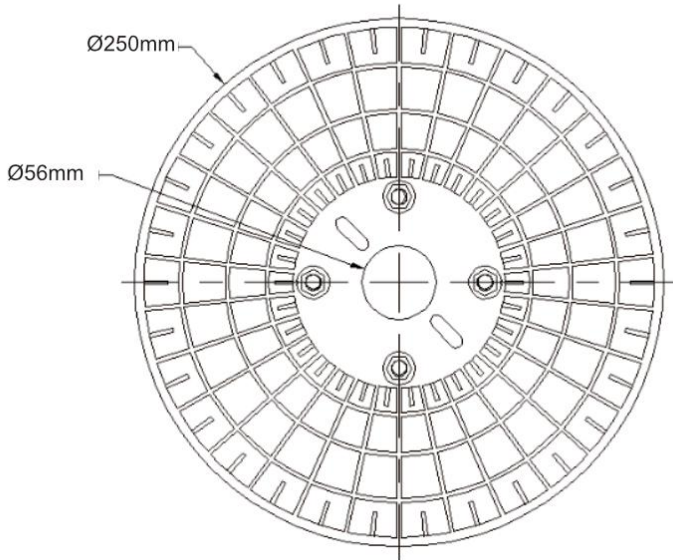




230V High Voltage Mains LED Strip Light 2700K/3000K/5000K/6500K

Dimensions

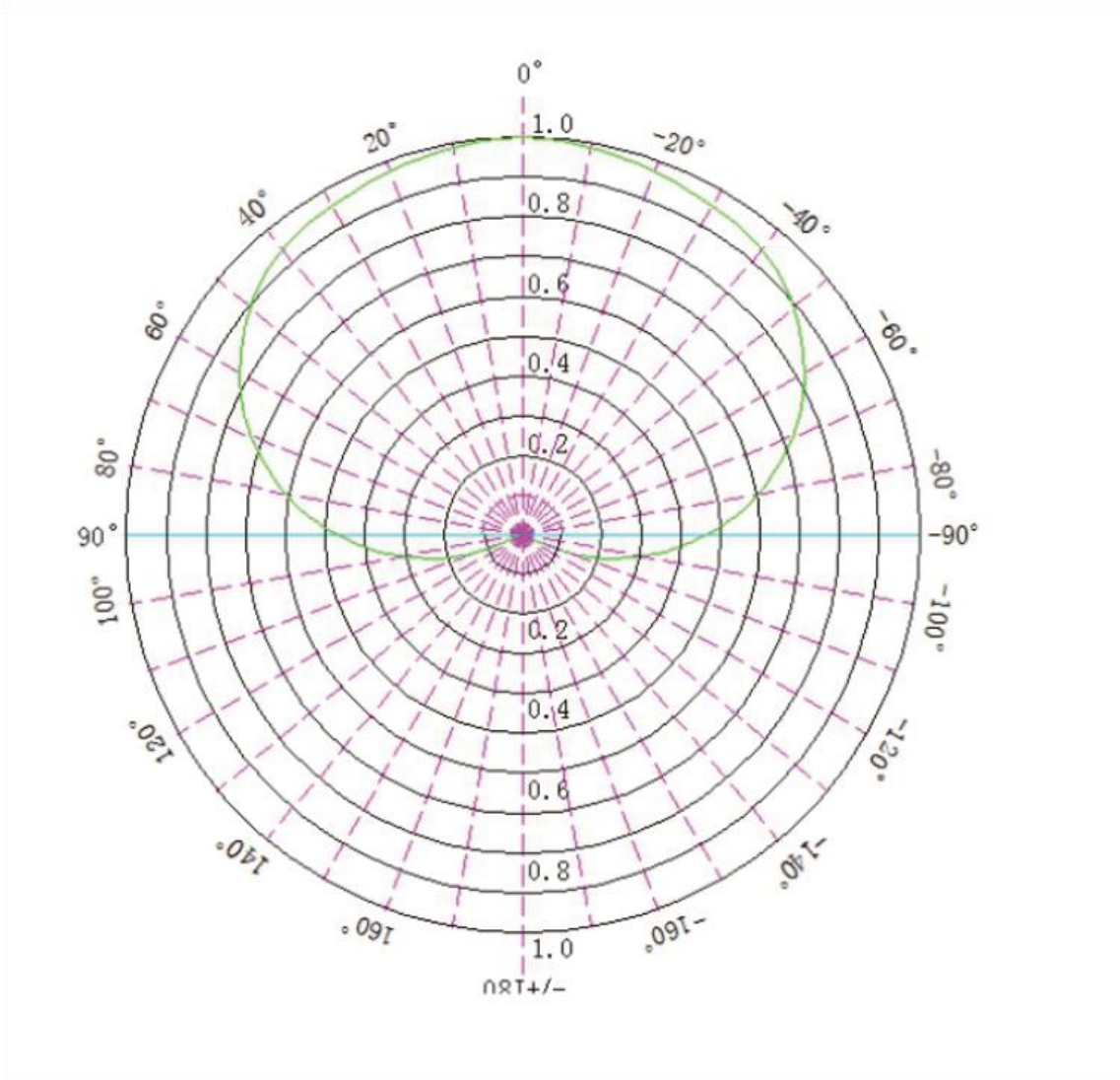
Reel Size





230V High Voltage Mains LED Strip Light 2700K/3000K/5000K/6500K

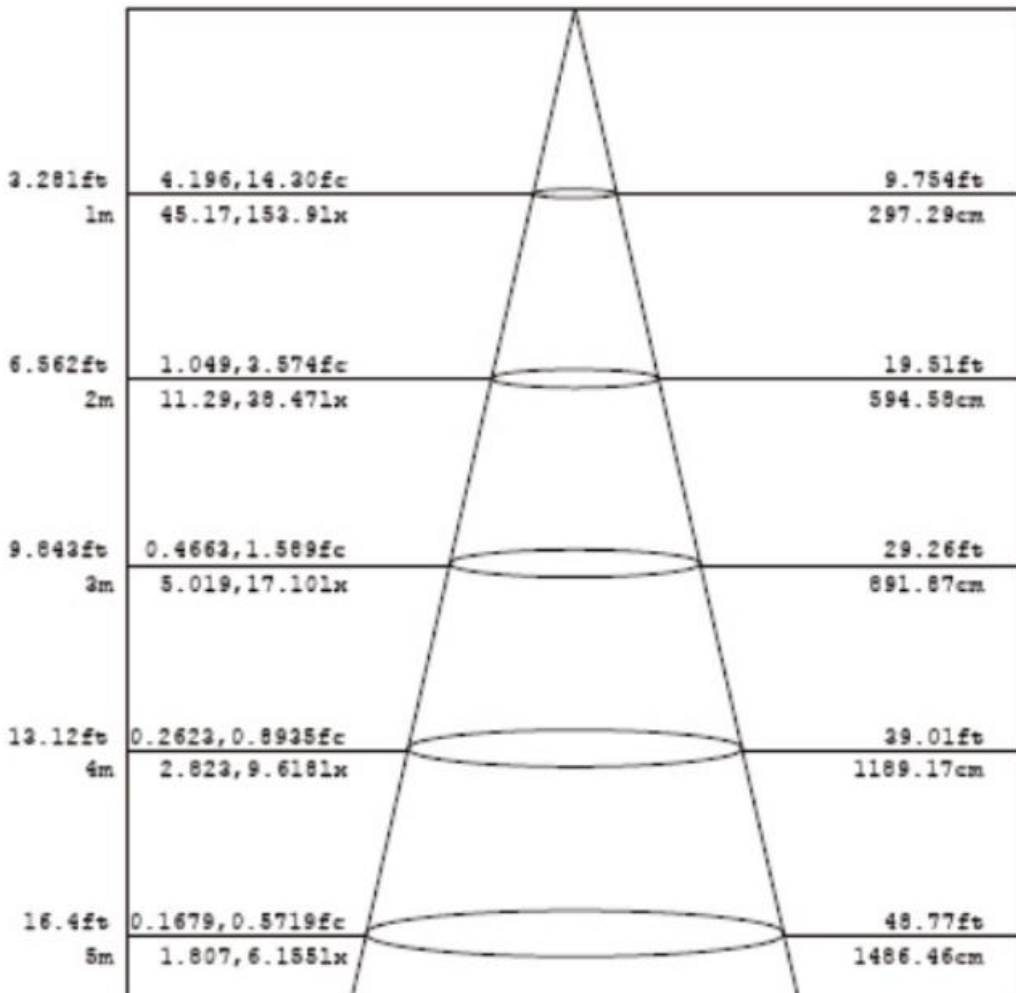
Distribution curve/illuminance diagram





230V High Voltage Mains LED Strip Light 2700K/3000K/5000K/6500K

Distribution curve/illuminance diagram





230V High Voltage Mains LED Strip Light 2700K/3000K/5000K/6500K

ATTENTION



- Each strip is connected to a rectifier bridge stack and a plug, just insert the plug into the power socket for easy use. Before use, please clarify the power of the product, ensure that the power supply line is not overloaded, and the circuit has a circuit protector, such as the power socket with a fuse or connected to the leakage switch. Please refer to the product technology and photoelectric parameters to ensure that the voltage parameters work within the range of $\pm 5\%$.
- If you need to customize the length, it should be cut at the welding position of the 0.5/1 meter unit group, not less than the minimum unit length or shear within the unit group. After cutting, it should be noted that the incision should be sealed with waterproof insulating glue to avoid burning the product or safety accidents (the product supplier is not responsible for the losses caused by this). Our company does not recommend that customers cut the length by themselves, if you need non-standard length products, please contact our staff.
- Do not twist the light strip continuously, multiple twisting is easy to cause fatigue damage to the internal power line, the twisting angle is not less than 45 degrees, and do not bend in the arc below 60mm in diameter. Safety precautions should be taken for outdoor and indoor use of flexible light strips to avoid reducing fire, electric shock and personal injury.
- For this product to work stably, please use the product in some places with good ventilation conditions. It is strictly forbidden to roll the whole roll of light strips together and light it.





230V High Voltage Mains LED Strip Light 2700K/3000K/5000K/6500K



- In order to ensure the life of the light strip, it is recommended not to pull the power cord during use, and it is forbidden to collide and squeeze the surface of the lamp beads. The installation and fixing of the light bar must be firm, and there can be no fluttering and swinging. Otherwise, it will cause fatigue and fracture of the light strip wire and damage the light strip;
- The end of the light bar must be covered with a tail plug; When used outdoors, each interface must be firm and free of potential short circuits, and when installed outdoors, each interface must be sealed with glass glue or other appropriate methods to ensure that each interface does not enter the water;
- Install and fix, do not use metal materials such as iron wire to tie the lamp tightly to avoid the wire from falling into the light bar, causing short circuit and leakage, burning the light bar, etc.;
- If you find that the outer skin of the light bar is damaged, please cut off this unit immediately and do not continue to use it to avoid danger;
- This product is not a children's toy, but it is easy to arouse children's interest, please install it in a place out of reach of children or use it under adult supervision. It is strictly forbidden to use this product directly in some swimming pools, rivers and other places where people are in close contact to prevent safety accidents.

