



ATEX Lighting

ATEX ZONE 1 ,2 ,21 & 22 - Explosion Proof Led Twin Spot With Recessed Emergency Sign | 6w





ATEX Lighting

ATEX ZONE 1 ,2 ,21 & 22 - Explosion Proof Led Twin Spot With Recessed Emergency Sign | 6w

Compliance

ATEX Standard:

II 2 G Ex db IIB+H2 T6 Gb
II 2 D Ex tb IIIC T80°C Db

IECEX Standard:

Ex db IIB+H2 T6 Gb
Ex tb IIIC T80°C Db

Gas: Zone 1&2
Dust: Zone 21&22 IP66



Application

Heavy Industrials Storage Facility

- Paper mills
- Wastewater Treatment Plants
- Loading Docks Platforms
- Offshore Environments
- Chemical Processing Facility
- Petrochemical Processing Facility
- Metallurgical Industry
- Coal Mine
- Food and Alcohol industry





ATEX Lighting

ATEX ZONE 1 ,2 ,21 & 22 - Explosion Proof Led Twin Spot With Recessed Emergency Sign | 6w

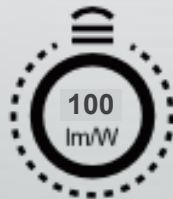
Product Description

The ATEX Explosion Proof LED Twin Spot with Pendant Emergency Sign is a robust, safety-critical lighting solution designed for hazardous environments where explosive gases and combustible dusts may be present. Featuring a high-visibility pendant emergency exit sign combined with twin adjustable LED spotlights, this dual-function unit provides reliable illumination and clear escape guidance during emergency situations.

Crucially, the fitting is rated Ex db IIB+H₂, meaning it is suitable for gas groups including hydrogen (H₂)—one of the most volatile and hazardous gases. The IIB+H₂ classification demonstrates an enhanced level of protection, making this unit ideal for demanding applications where hydrogen or similarly reactive gases may be present.

Warranty

5 Year Standard Warranty





ATEX Lighting

ATEX ZONE 1 ,2 ,21 & 22 - Explosion Proof Led Twin Spot With Recessed Emergency Sign | 6w

Wattage	6W
Lumens Per Watt	100lm/w
Voltage	100-277V
Lifespan	50,000 Hours
IP Rating	IP66
Zones	gas: 1,2 dust: 21,22
IK Rating	IK10 (Enclosure) IKo8 (Glass)
Colour Temperature	5000k
Material	Housing: Die-casting aluminum Hardware: Stainless steel





ATEX Lighting

ATEX ZONE 1 ,2 ,21 & 22 - Explosion Proof Led Twin Spot With Recessed Emergency Sign | 6w

Dimensions 443mm x 380mm x 162mm

Operating Temperature -20°C to 60°C

Applications

perfect for use in Wastewater treatment, oil and gas refineries, drilling rigs, petrochemical facilities, food and beverage facilities, tunnels, outdoor or indoor mounted general area lighting, and where flammable vapours, gases, ignitable dusts, fibres or flying's are present.

Certificates CE, RoHS, ATEX, IECEx

Warranty 5 Year

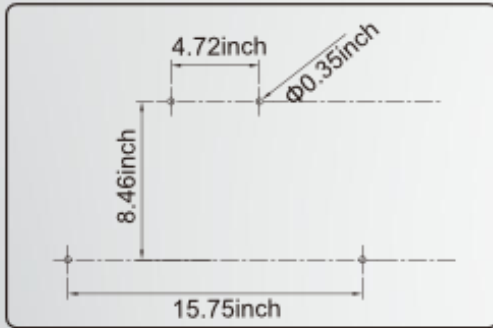




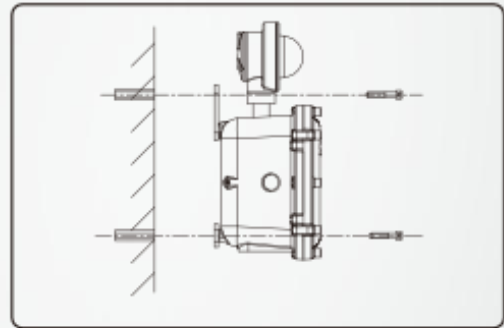
ATEX Lighting

ATEX ZONE 1 ,2 ,21 & 22 - Explosion Proof Led Twin Spot With Recessed Emergency Sign | 6w

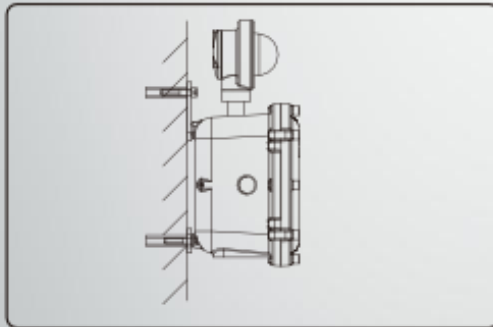
Wall Mounting



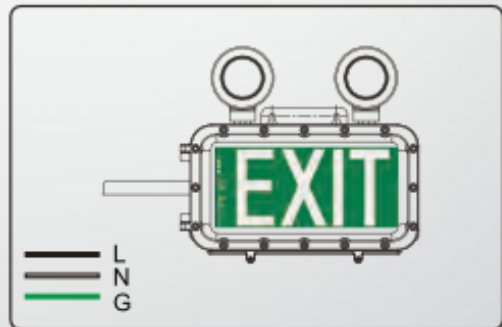
1. Drill 4 holes ($\Phi 0.35\text{inch}$) as shown above.



2. Install four M8 expanded screws to fix the device.



3. Tighten the four screws.



4. Connect the AC cable, black cable joins to L, white cable joins to N, green cable joins to grounding.



ATEX Lighting



ATEX ZONE 1 ,2 ,21 & 22 - Explosion Proof Led Twin Spot With Recessed Emergency Sign | 6w

Dimensions

