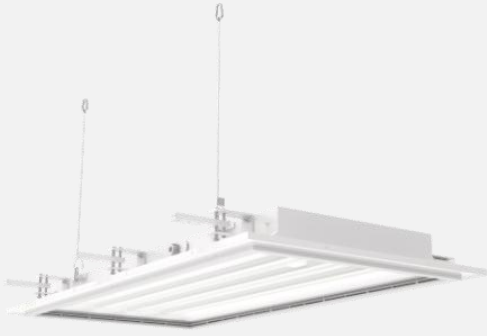


ATEX Lighting



ATEX Zone 1 - Explosion Proof Ceiling Light | 40W | 60W



ATEX Lighting



ATEX Zone 1 - Explosion Proof Ceiling Light | 40W | 60W

Compliance

ATEX Standard:

II 2GD

Ex db eb mb IIC T6/T5 Gb

Ex tb IIIC T80°C/T95°C Db IP 66

IECEX Standard:

Ex db eb mb IIC T6/T5 Gb

Ex tb IIIC T80°C/T95°C Db IP 66

Gas: Zone 1&2

Dust: Zone 21&22

Enclosures: IK10



Warranty

5 Year Standard Warranty



ATEX Lighting



ATEX Zone 1 - Explosion Proof Ceiling Light | 40W | 60W

Product Description

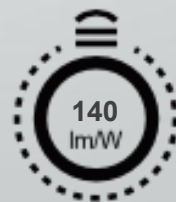
The ATEX Zone 1 - Explosion Proof Ceiling Light | 40W | 60W LED linear luminaries are designed to provide ideal illumination in the harshest environments, also suitable for marine applications.

Available in Two common sizes, it is certified for use in Zone 1 locations and others made hazardous by the presence of flammable vapors or gases or combustibile dusts.

Application

Heavy Industrials Storage Facility

- Paper mills
- Wastewater Treatment Plants
- Loading Docks Platforms
- Offshore Environments
- Chemical Processing Facility
- Petrochemical Processing Facility
- Metallurgical Industry
- Coal Mine
- Food and Alcohol industry



ATEX Lighting



ATEX Zone 1 - Explosion Proof Ceiling Light | 40W | 60W

Wattage 40w, 60w

Lumens Per Watt 120lm/w

Voltage 100-277V

Lifespan 50,000 hours

IP Rating IP66

Zones gas: 1,2
dust: 21,22

IK Rating IK10

Colour Temperature 5000K

Beam Angle 120°

Warranty 5 Year Warranty



ATEX Lighting



ATEX Zone 1 - Explosion Proof Ceiling Light | 40W | 60W

Atex Certification

II 2G Ex db eb mb IICT6...T5 Gb
II 2D Ex tb IICT80°C... T95°C Db

IECEX Certification

Ex db eb mb IICT6...T5 Gb
Ex tb IICT80°C... T95°C Db

Material

housing: Aluminium 6063
Diffuser: Glass/pc

Dimensions

40W:605mm x 605mm x 120mm
60W:1215mm x 605mm 120mm

Operating Temperature

-40°C to 60°C

Applications

perfect for use in Wastewater treatment, oil and gas refineries, drilling rigs, petrochemical facilities, food and beverage facilities, tunnels, outdoor or indoor mounted general area lighting, and where flammable vapours, gases, ignitable dusts, fibres or flying's are present.

Certificates

CE, RoHS, ATEX, IECEX

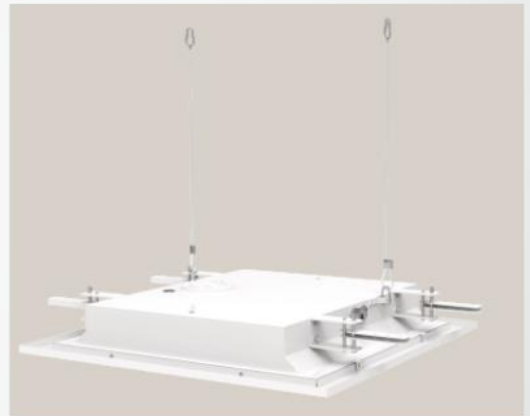
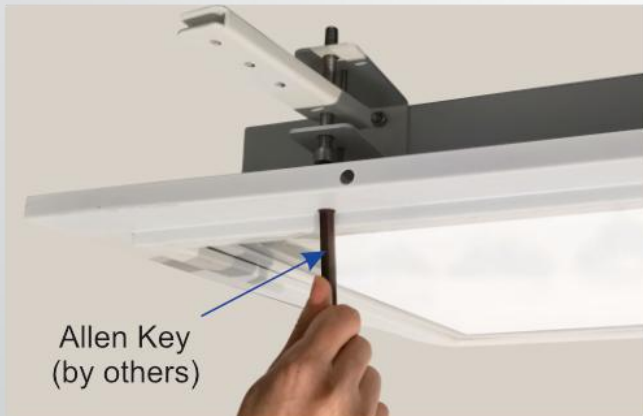


ATEX Lighting



ATEX Zone 1 - Explosion Proof Ceiling Light | 40W | 60W

Recessed Installation



Accessories



Recessed
Mount
Bracket



L-shape Buckle
(work with M4 screws to
tighten the outer frame
of recessed mount)



Safety Rope

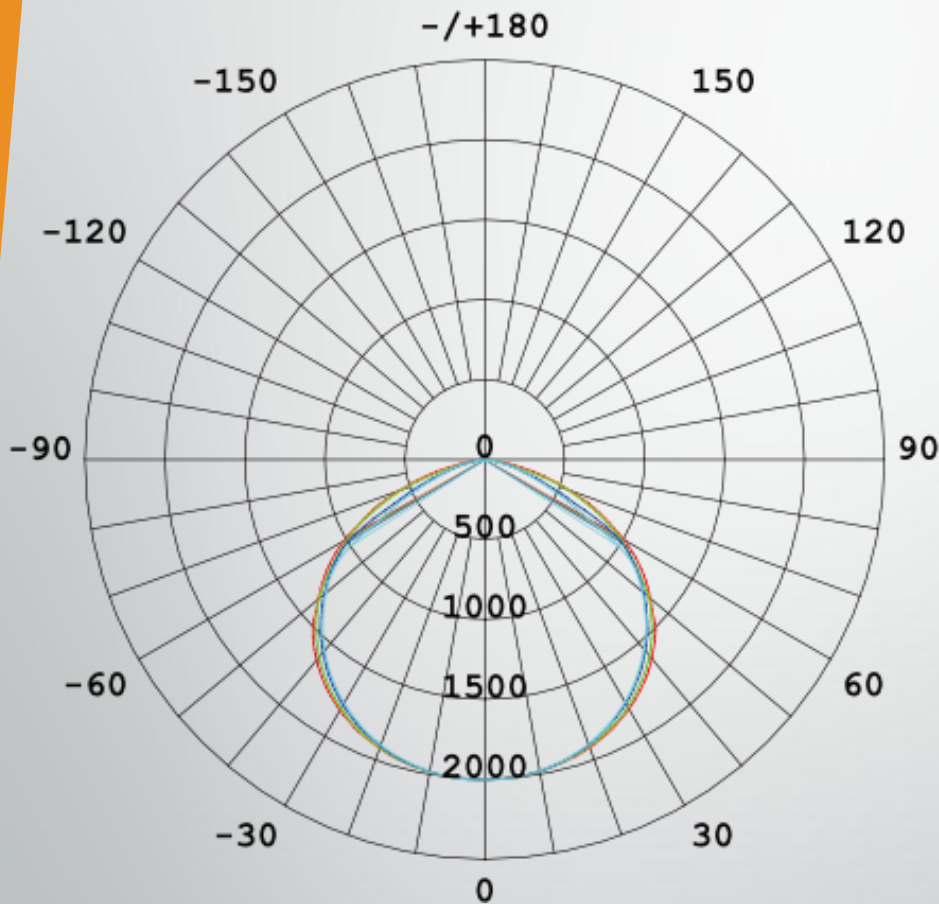


ATEX Lighting



ATEX Zone 1 - Explosion Proof Ceiling Light | 40W | 60W

Photometric



120 Degree

UNIT: cd

- C0/180, 120.6
- C30/210, 119.0
- C60/240, 117.7
- C90/270, 114.2

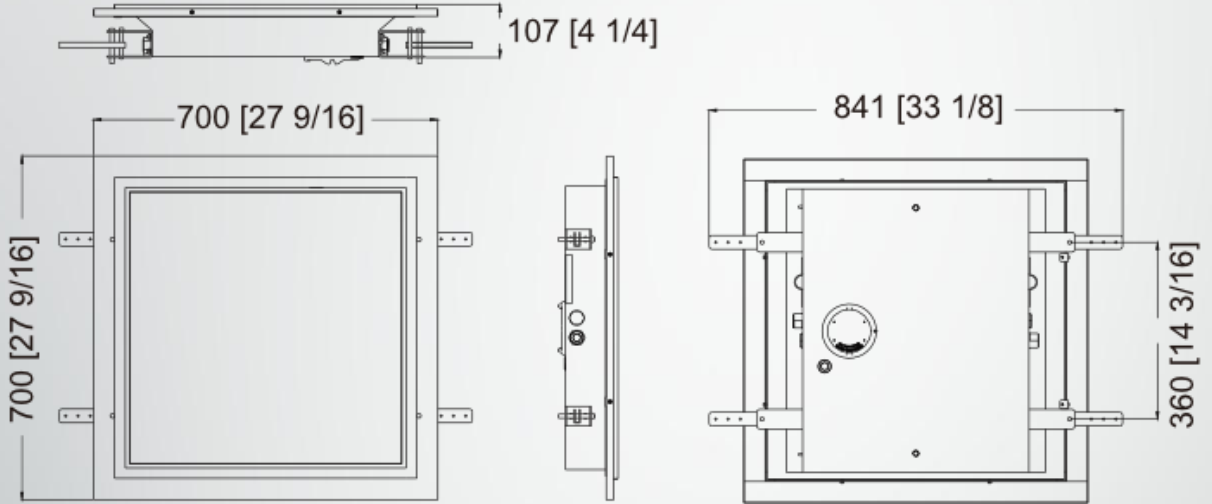


ATEX Lighting



ATEX Zone 1 - Explosion Proof Ceiling Light | 40W | 60W

Dimensions – 40W



Dimensions – 60W

