



ATEX Lighting

ATEX Zone 1 - Explosion Proof LED Tube Batten 20W | 40W | 80W



ATEX Lighting



ATEX Zone 1 - Explosion Proof LED Tube Batten

20W | 40W | 80W

Compliance

ATEX Standard:

II 2GD

Ex db eb mb IIC T6/T5 Gb Ex tb IIIC
T80°C/T95°C Db IP 66

IECEx Standard:

II 2GD

Ex db eb mb IIC T6/T5 Gb Ex tb IIIC
T80°C/T95°C Db IP 66

Gas: Zone 1&2

Dust: Zone 21&22 IP66

Enclosures: IK10 Glass: IK08

EN 60079-0, EN 60079-1, EN60079-7, EN 60079-18, EN 60079-31, IEC 60079-0, IEC 60079-1, IEC 60079-7, IEC 60079-18, IEC 60079-31



ATEX Lighting



ATEX Zone 1 - Explosion Proof LED Tube Batten 20W | 40W | 80W

Product Description

The ATEX Zone 1 - Explosion Proof LED Tube Batten 20W | 40W | 80W fixture is the ideal choice for marine and hazardous applications requiring a linear design. They can be used in locations made hazardous by the presence of flammable vapors or gases or combustible dusts as defined by ATEX.

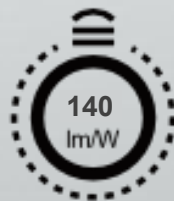
Application

Heavy Industrials Storage Facility

- Paper mills
- Wastewater Treatment Plants
- Loading Docks Platforms
- Offshore Environments
- Chemical Processing Facility
- Petrochemical Processing Facility
- Metallurgical Industry
- Coal Mine
- Food and Alcohol industry

Warranty

5 Year Standard Warranty



ATEX Lighting



ATEX Zone 1 - Explosion Proof LED Tube Batten 20W | 40W | 80W

Wattage

Single Tube: 20w, 40w

Double Tube: 80w

Lumens Per Watt

140lm/w

Voltage

100-277V

Lifespan

50,000 hours

IP Rating

IP66

IK Rating

IK10

Colour Temperature

5000K

Beam Angle

120°

Material

housing: Aluminium

Diffuser: Glass/pc

Dimensions

20W & 40W: L: 162.6mm x
H:193mm

80W: L: 462mm x H:193mm



ATEX Lighting



ATEX Zone 1 - Explosion Proof LED Tube Batten 20W | 40W | 80W

Operating Temperature -40°C to 45°C

Applications

perfect for use in Wastewater treatment, oil and gas refineries, drilling rigs, petrochemical facilities, food and beverage facilities, tunnels, outdoor or indoor mounted general area lighting, and where flammable vapours, gases, ignitable dusts, fibres or flying's are present.

Certificates

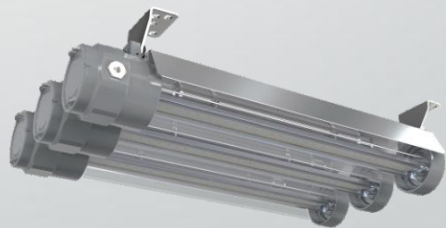
CE, RoHS, ATEX, IECEx

Warranty

5 Year



20W & 40W



80W



ATEX Lighting

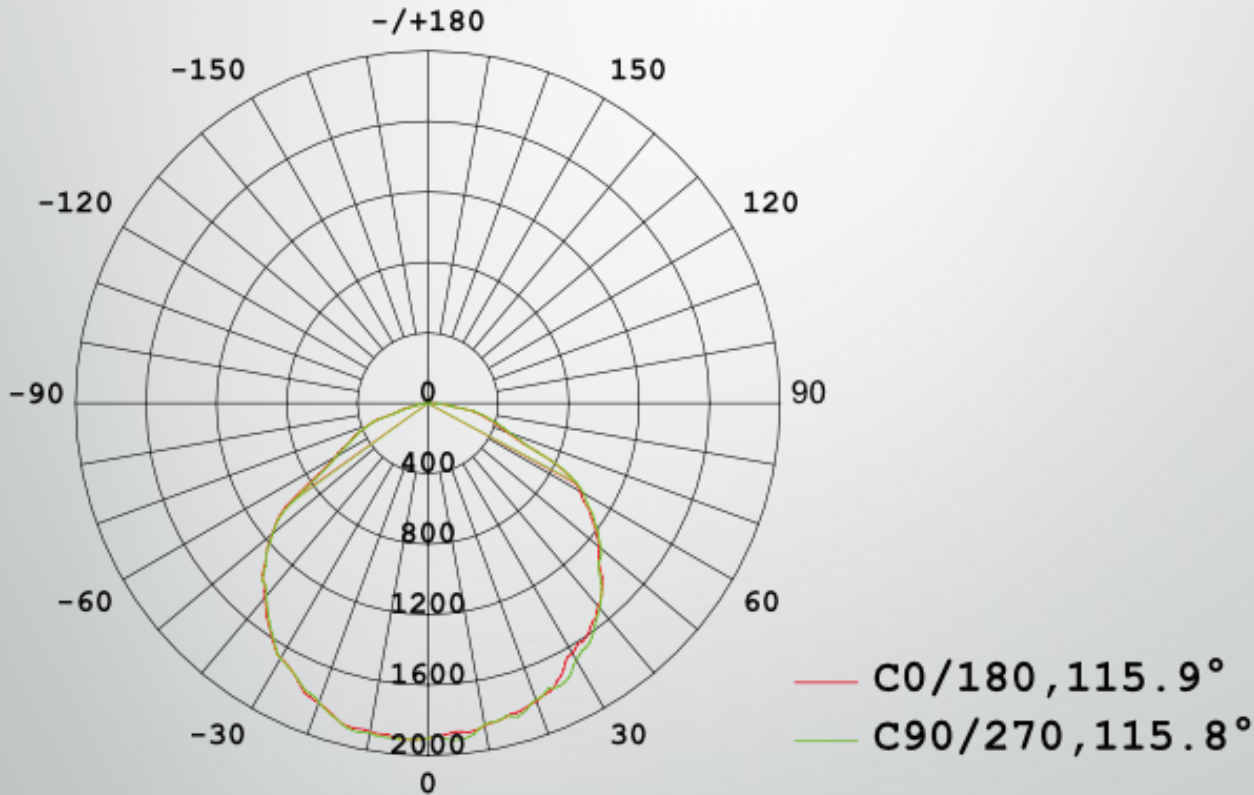


ATEX Zone 1 - Explosion
Proof LED Tube Batten
20W | 40W | 80W

Photometry

120 Degree

(1.2 meters, single tube)

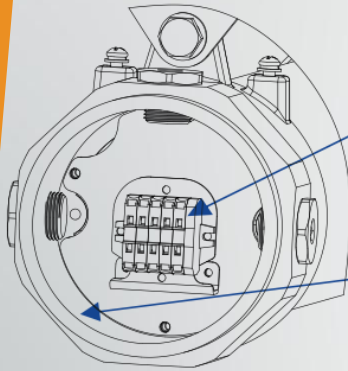


ATEX Lighting



**ATEX Zone 1 - Explosion
Proof LED Tube Batten**
20W | 40W | 80W

Structural Feature



This chamber is an increased safety "e" chamber, and an increased safety "e" terminal is used.

The cover is opened by thread, which is more convenient than fastening with screws, takes less time, and does not need additional technical support.

1. The explosion-proof type of wiring chamber can be "Ex e" explosion-proof type. See Figure.
2. The opening mode of the wiring chamber cover is threaded connection, which is convenient for incoming wire and wiring.
3. The structure can save additional incoming junction box for users.
4. Method of construction: Housing in one piece with high mechanical and chemical resistance. Long-lasting imperviousness by screw fitting.

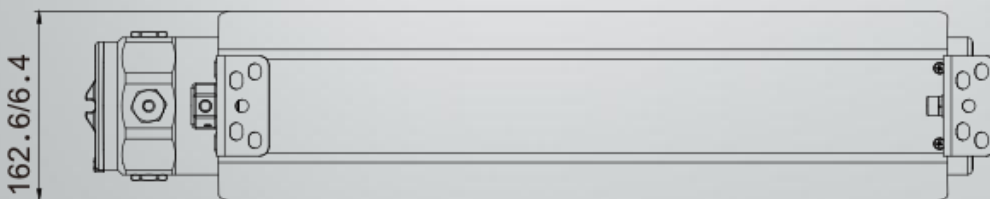
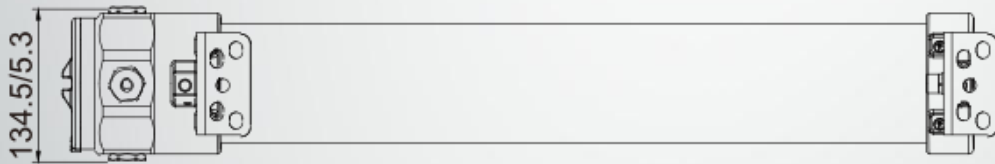
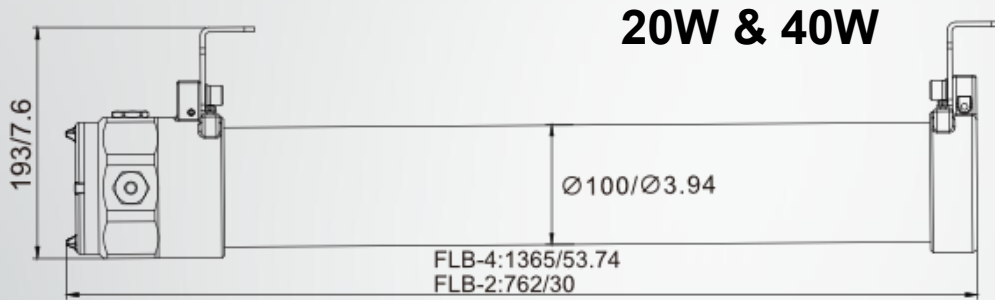


ATEX Lighting



**ATEX Zone 1 - Explosion
Proof LED Tube Batten**
20W | 40W | 80W

Dimensions



with lamp shade



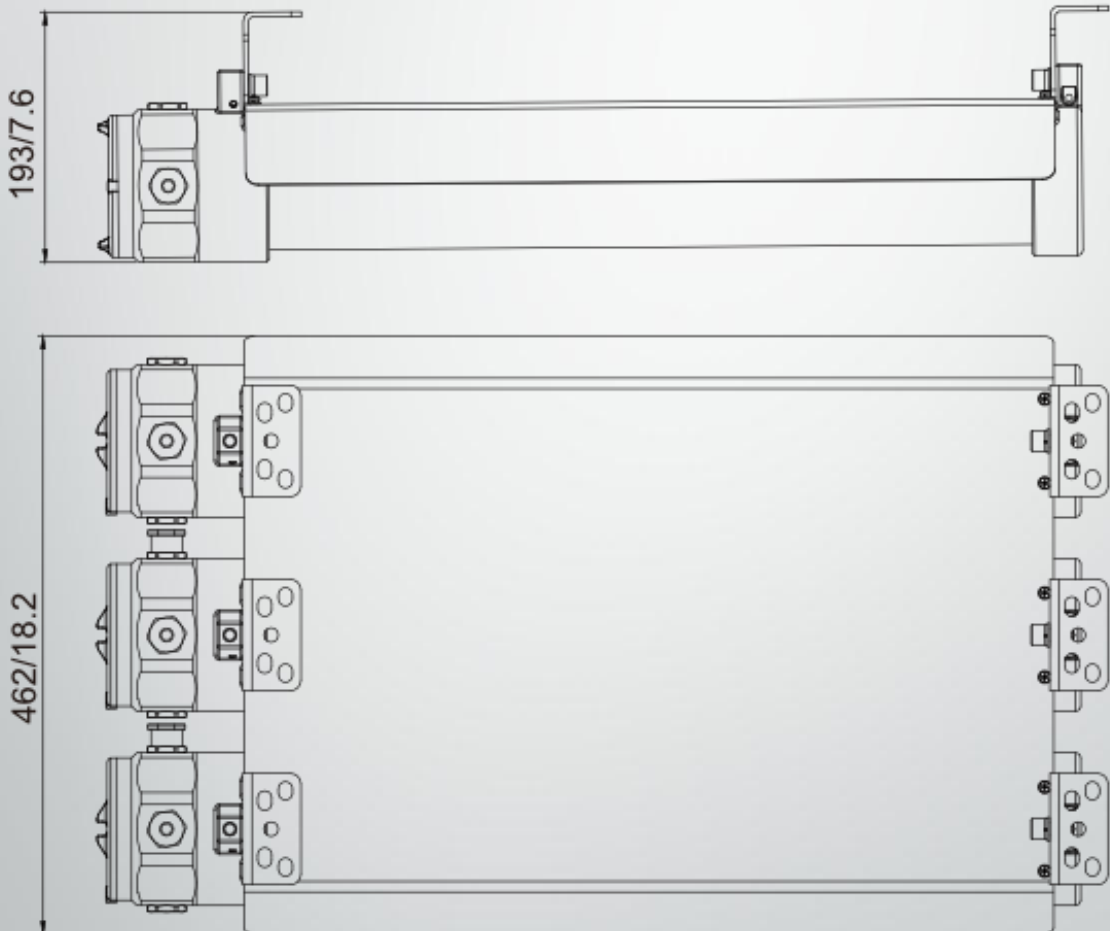
ATEX Lighting



ATEX Zone 1 - Explosion
Proof LED Tube Batten
20W | 40W | 80W

Dimensions

80W



ATEX Lighting

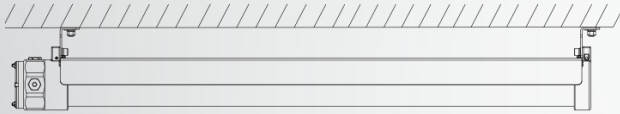


ATEX Zone 1 - Explosion Proof LED Tube Batten

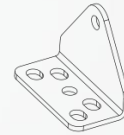
20W | 40W | 80W

Mounting Options

• Ceiling Mounting

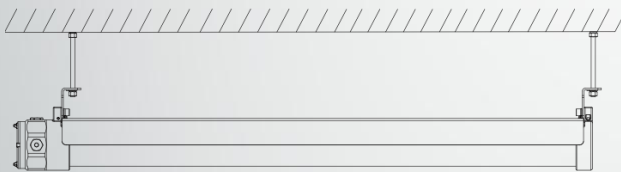


• Accessory



Mounting Plate
Quantity:
1P: 2
2P: 4
3P: 4

• Pendant Mounting



• Accessory



Mounting Plate
Quantity:
1P: 2
2P: 4
3P: 4

• Pole Mounting

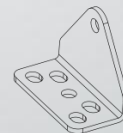


Pole (ordered separately)

• Accessories



U Type Pipe Clamp
Quantity:
1P: 2
2P: 4
3P: 4



Mounting Plate
Quantity:
1P: 2
2P: 4
3P: 4



304 Column Mounting Fixing Straps
Quantity:
1P: 2
2P: 4
3P: 4

