

ATEX Lighting



Atex Zone 1 ,2 ,21 & 22 - Explosion Proof LED Emergency Light | 10W | 20W



ATEX Lighting



Atex Zone 1 ,2 ,21 & 22 - Explosion Proof LED Emergency Light | 10W | 20W

Compliance

ATEX Standard:

II 2 G Ex db IIB+H2 T6 Gb
II 2 D Ex tb IIIC T80°C Db

IECEX Standard:

Ex db IIB+H2 T6 Gb
Ex tb IIIC T80°C Db

Gas: Zone 1&2
Dust: Zone 21&22 IP66



Application

Heavy Industrials Storage Facility

- Paper mills
- Wastewater Treatment Plants
- Loading Docks Platforms
- Offshore Environments
- Chemical Processing Facility
- Petrochemical Processing Facility
- Metallurgical Industry
- Coal Mine
- Food and Alcohol industry



ATEX Lighting



Atex Zone 1 ,2 ,21 & 22 - Explosion Proof LED Emergency Light | 10W | 20W

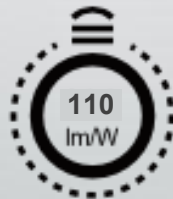
Product Description

The ATEX Explosion Proof LED Emergency Light is a high-performance, safety-critical luminaire designed for hazardous environments where explosive gases and combustible dusts may be present. Engineered for reliability and compliance, this durable fitting provides both high-efficiency illumination and dependable emergency backup, ensuring continued visibility during power failures in demanding industrial settings.

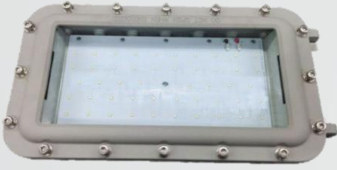
Featuring advanced db tb explosion protection, this luminaire ensures maximum safety in high-risk areas. The db flameproof enclosure is designed to contain any internal ignition and prevent it from igniting surrounding gases, while tb protection guarantees suitability for dust atmospheres through a sealed, temperature-controlled design. This combined db tb protection ensures full compliance for ATEX Zones 1 & 2 (gas) and Zones 21 & 22 (dust).

Warranty

5 Year Standard Warranty



ATEX Lighting



Atex Zone 1 ,2 ,21 & 22 - Explosion Proof LED Emergency Light | 10W | 20W

Wattage

10W, 20W

Lumens Per Watt

110lm/w

Voltage

120-277V

Lifespan

50,000 hours

Emergency

3 Hours emergency Battery

Battery

Equipped with a lithium
battery pack: 9.6V, 4000mA.

Charge Time

24 Hours

IP Rating

IP66

Zones

gas: 1,2
dust: 21,22

Colour Temperature

5000k

Dimming

1-10v dimming



ATEX Lighting



Atex Zone 1 ,2 ,21 & 22 - Explosion Proof LED Emergency Light | 10W | 20W

Material

Housing: Die-casting
aluminum
Hardware: Stainless steel

Dimensions

10W: 284mm x 188mm x
136mm
20W: 443mm x 267mm x
162mm

Operating Temperature

-20° to 60°

Applications

perfect for use in Wastewater treatment, oil and gas refineries, drilling rigs, petrochemical facilities, food and beverage facilities, tunnels, outdoor or indoor mounted general area lighting, and where flammable vapours, gases, ignitable dusts, fibres or flying's are present.

Certificates

CE, RoHS, ATEX, IECEx

Warranty

5 Year



ATEX Lighting



**Atex Zone 1 ,2 ,21 & 22 -
Explosion Proof LED Emergency
Light | 10W | 20W**

Emergency Driver

Indicator:

Green light remains on with mains electricity.
Green light is not on without mains electricity.

Switch Functions:

ON/OFF function.

Shut down the device by pressing the switch for
3 to 5 seconds.



Side View

Image: LED Emergency Driver



ATEX Lighting



**Atex Zone 1 ,2 ,21 & 22 -
Explosion Proof LED Emergency
Light | 10W | 20W**

Emergency Driver

Indicator:

Green light remains on with mains electricity.
Green light is not on without mains electricity.

Switch Functions:

ON/OFF function.

Shut down the device by pressing the switch for
3 to 5 seconds.



Side View

Image: LED Emergency Driver

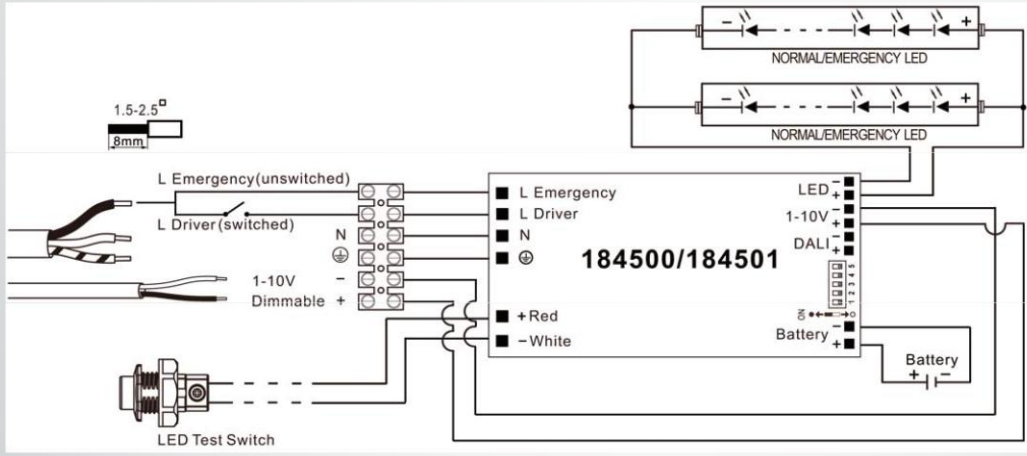


ATEX Lighting

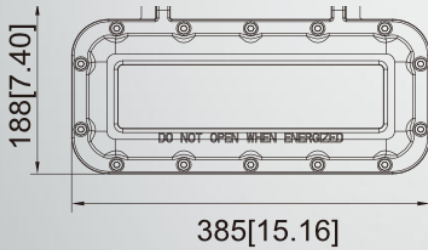


Atex Zone 1 ,2 ,21 & 22 - Explosion Proof LED Emergency Light | 10W | 20W

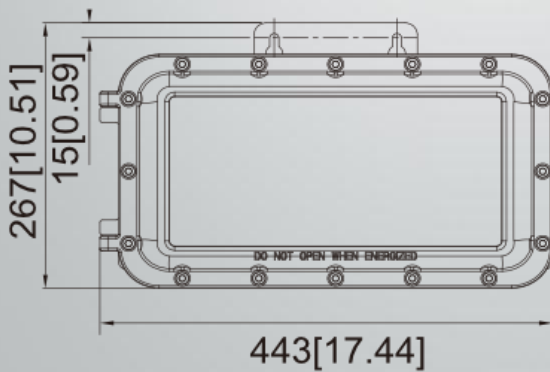
Wiring Diagram



Dimensions



10W



20W

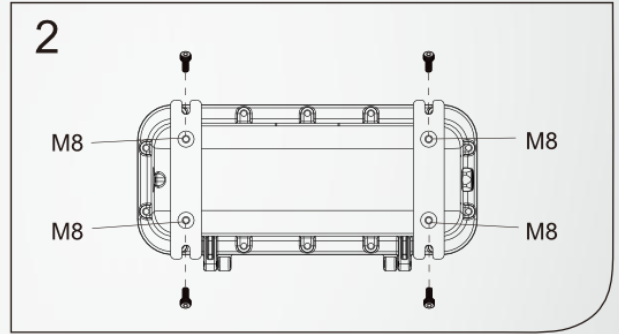
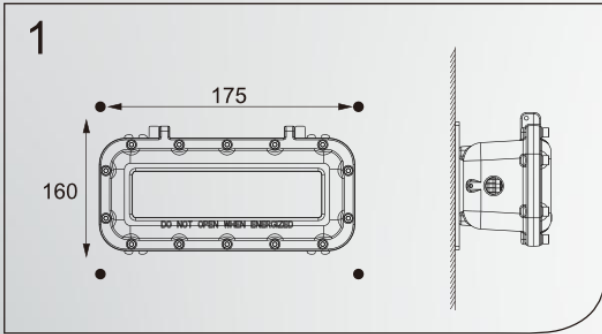


ATEX Lighting

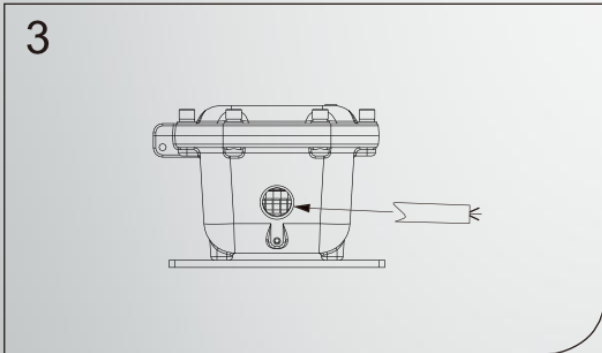


Atex Zone 1 ,2 ,21 & 22 - Explosion Proof LED Emergency Light | 10W | 20W

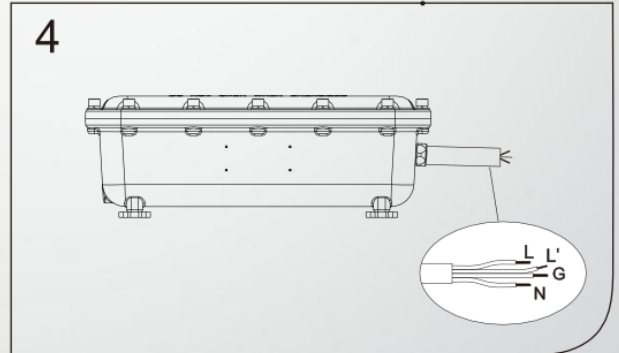
Wall Mounting



1. Drill four holes as fig. 1, the distance as per 175*160mm. 2. Fix four M8 expansion screws.



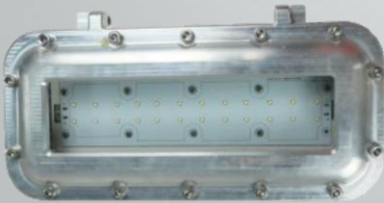
3. Install pipe to 3/4 NPT entry and fix 19mm Chico A.



4. Connect the AC cable, black cable joins to L, white cable joins to N, green cable joins to grounding.

Images

10W



20W

