

ATEX Lighting



Atex Zone 1 ,2 ,21 & 22 - LED Emergency Twin Spot 10W





ATEX Lighting

Atex Zone 1 ,2 ,21 & 22 - LED Emergency Twin Spot 10W

Compliance

ATEX Standard

II 2 G Ex db IIB+H2 T6 Gb
II 2 D Ex tb IIIC T80°C Db

IECEx Standard:

Ex db IIB+H2 T6 Gb
Ex tb IIIC T80°C Db

Gas: Zone 1&2
Dust: Zone 21&22 IP66



Application

Heavy Industrials Storage Facility

- Paper mills
- Wastewater Treatment Plants
- Loading Docks Platforms
- Offshore Environments
- Chemical Processing Facility
- Petrochemical Processing Facility
- Metallurgical Industry
- Coal Mine
- Food and Alcohol industry





ATEX Lighting

Atex Zone 1 ,2 ,21 & 22 - LED Emergency Twin Spot 10W

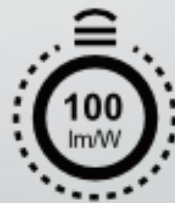
Product Description

Introducing The EcoMode - Atex 10W LED Emergency Twin spot, the ultimate solution for reliable and energy-efficient lighting in hazardous environments. Crafted with precision using explosive-proof, die-casting aluminium material and tempered glass, this IP66-rated emergency twin spot is built to withstand even the toughest conditions.

But that's not all! EcoMode boasts a 3-hour emergency operation feature, ensuring uninterrupted lighting during critical situations. With a remarkable lifespan of up to 50,000 hours, you can rely on its long-lasting performance for years to come. Plus, with a generous 5-year warranty, your investment is protected.

Warranty

5 Year Standard Warranty





ATEX Lighting

Atex Zone 1 ,2 ,21 & 22 - LED Emergency Twin Spot 10W

Brand:	EcoMode
Wattage:	10W
Lumens Per Watt:	100lm/w
Colour Temperature:	5000 - 5500k
Rating	Zone 1, 2, 21 & 22
Beam Angle:	120°
Voltage input:	ac 100-277v
IP Rating:	IP66
Lifespan:	>50,000H
Emergency time:	3 Hours
IK Rating:	IK10
Working Temperature:	-20°C to +60°C
Power Factor:	>0.9





ATEX Lighting

Atex Zone 1 ,2 ,21 & 22 - LED Emergency Twin Spot 10W

Warranty: 5 Years

Dimensions: 280mm x 333mm x 226mm

Certificates: CE, UKCA, CB & ATEX

Material: copper free Aluminium

Application: Perfect for use in petroleum storage, ocean marine and aerospace field, chemical industry, metal treatment, solvent based Paint workshops and alcohol industry.



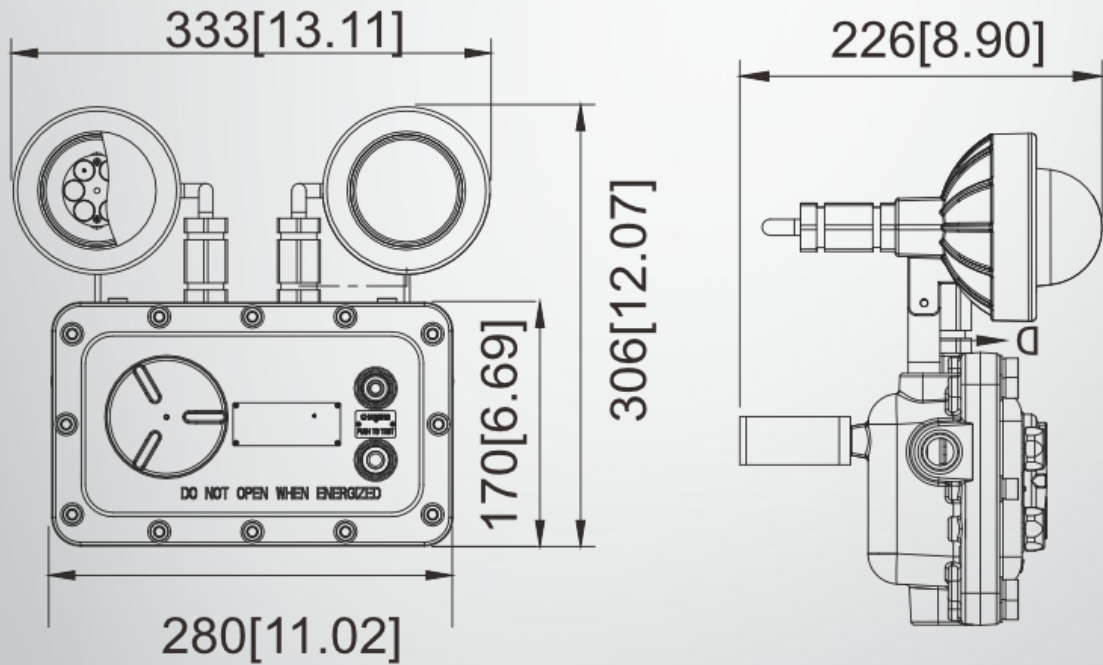


ATEX Lighting

Atex Zone 1 ,2 ,21 & 22 - LED Emergency Twin Spot 10W

Dimensions

MM [INCH]



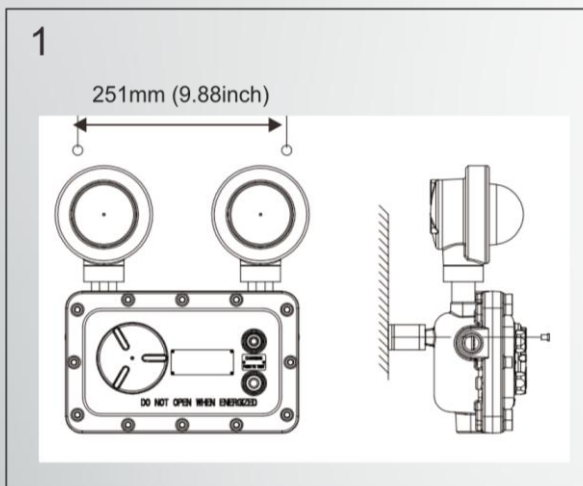


ATEX Lighting

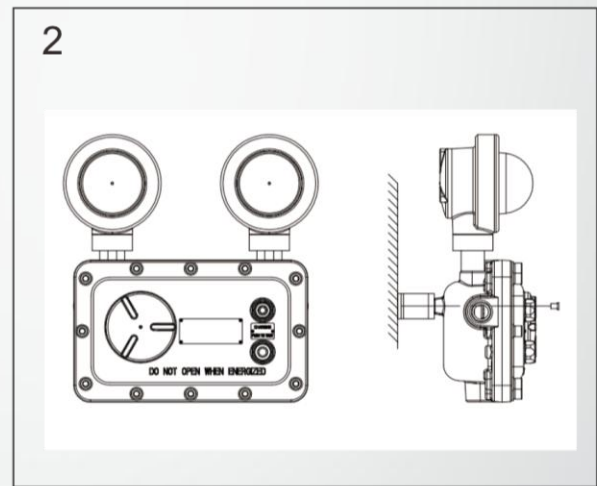
Atex Zone 1 ,2 ,21 & 22 - LED Emergency Twin Spot 10W

Installation

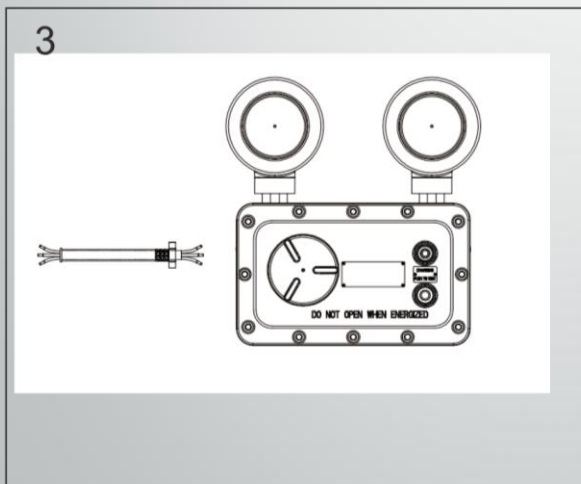
Wall Mounted:



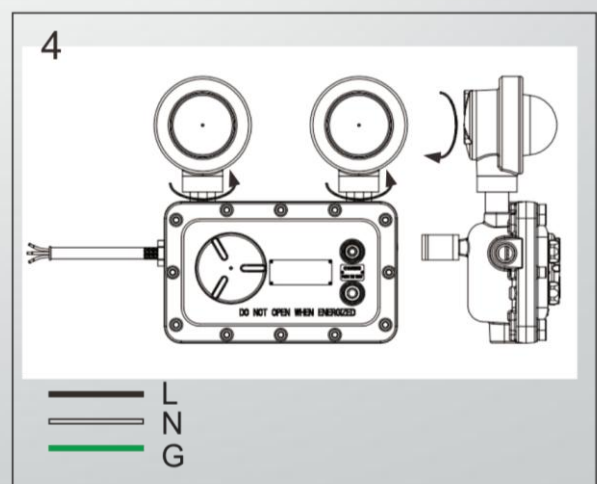
1. Drill 2× holes as fig. 1, the distance as per above dimensions.



2. Fix 4× M8 expansion screws.



3. Install pipe to 3/4 NPT entry and fix 19mm Chico A.



4. Connect the AC cable, black cable joins to L, white cable joins to N, green cable joins to grounding.





ATEX Lighting

Atex Zone 1 ,2 ,21 & 22 - LED Emergency Twin Spot 10W

Available in:

Atex Zone 1 ,2 ,21 & 22 -
Explosion Proof LED
Twin Spot With **Pendant**
Emergency Sign | 6W

Atex Zone 1 ,2 ,21 & 22 -
Explosion Proof LED Twin
Spot With **Recessed**
Emergency Sign | 6W



[Buy Now](#)

[Buy Now](#)

