

ATEX Lighting



Atex Zone 1 - Explosion Proof High Bay

| 80W | 150W | 200W



ATEX Lighting



Atex Zone 1 - Explosion Proof High Bay | 80W | 150W | 200W

Compliance

ATEX Standard:

80W:

II 2 G Ex db IIC T6...T4 Gb
II 2 D Ex tb IIIC T80°C...T130°C Db

150W & 200W:

II 2 G Ex db IIC T6/T5 Gb
II 2 D Ex tb IIIC T80°C...T130°C Db

IECEx Standard:

Ex db IIC T6...T4 GbEx tb IIIC
T80°C...T130°C Db

Gas: Zone 1&2
Dust: Zone 21&22 IP66
Enclosures: IK10 Glass: IK08



Warranty

5 Year Standard Warranty



ATEX Lighting



Atex Zone 1 - Explosion Proof High Bay | 80W | 150W | 200W

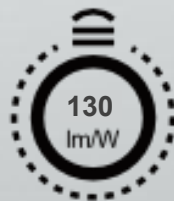
Product Description

The Atex Zone 1 - Explosion Proof High Bay | 80W | 150W | 200W luminaire is designed for installations in hazardous area with presence of flammable gases or combustible dusts as defined by ATEX / IECEx for Zone 1/21 applications. They can be used in locations where moisture, dirt, dust, corrosion and vibration may be present, or areas where wind, water, snow or high ambient can be expected.

Application

Heavy Industrials Storage Facility

- Paper mills
- Wastewater Treatment Plants
- Loading Docks Platforms
- Offshore Environments
- Chemical Processing Facility
- Petrochemical Processing Facility
- Metallurgical Industry
- Coal Mine
- Food and Alcohol industry



ATEX Lighting



Atex Zone 1 - Explosion Proof High Bay | 80W | 150W | 200W

Wattage	80W 150W 200W
Voltage	100-277V AC
Input Frequency	50/60Hz
Power Factor	>0.95
Lumens Per Watt	130LM/W
Lifespan	50,000 Hours
IP Rating	Ip66
IK Rating	IK10
CRI	>70
Colour	5000k
Beam Angle	90°



ATEX Lighting



Atex Zone 1 - Explosion Proof High Bay | 80W | 150W | 200W

Dimensions

80W:

Ø270mm x 305mm (With Bracket)

150W & 200W:

Ø336mm x 420 (With Bracket)

Operating Temperature

80W: -40 °C to +50°C

150W: -40 °C to +55°C

200W: -40 °C to +40°C

Applications

perfect for use in Wastewater treatment, oil and gas refineries, drilling rigs, petrochemical facilities, food and beverage facilities, tunnels, outdoor or indoor mounted general area lighting, and where flammable vapours, gases, ignitable dusts, fibres or flying's are present.

Certificates

CE, RoHS, ATEX, IECEx

Warranty

5-Year Warranty

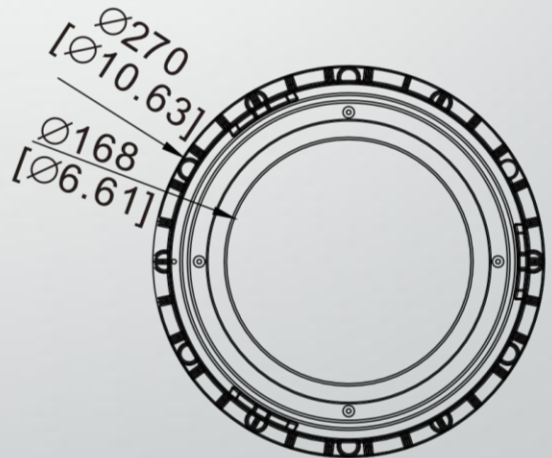
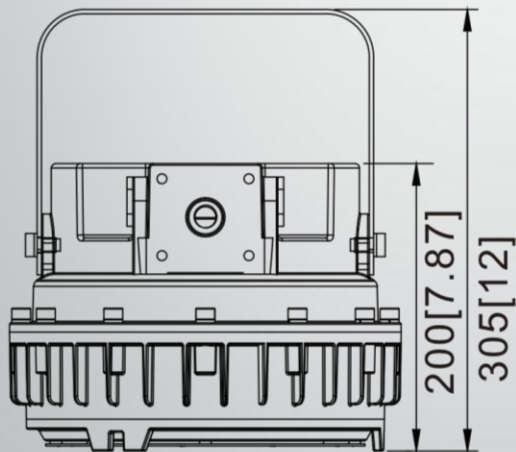
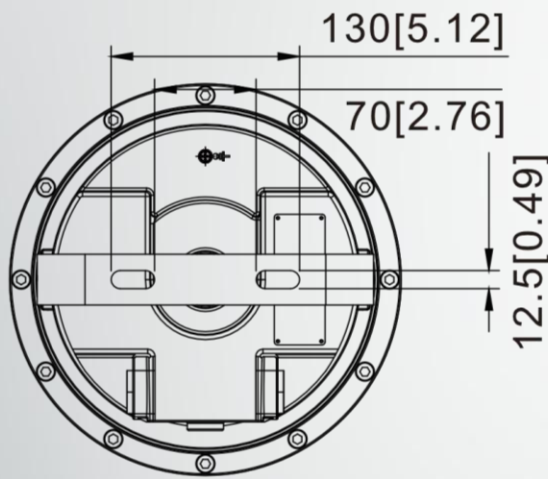


ATEX Lighting



**Atex Zone 1 - Explosion
Proof High Bay | 80W |
150W | 200W**

Dimension (80W)

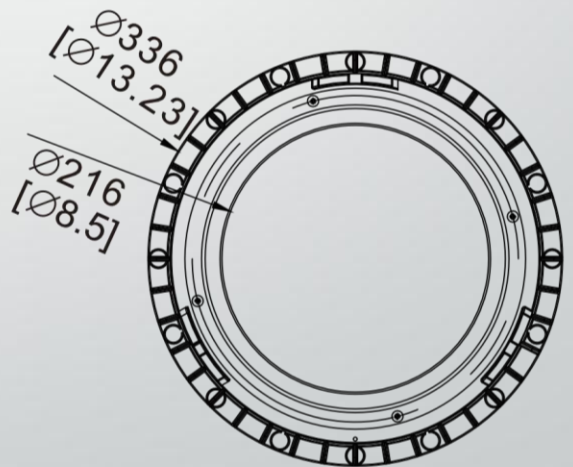
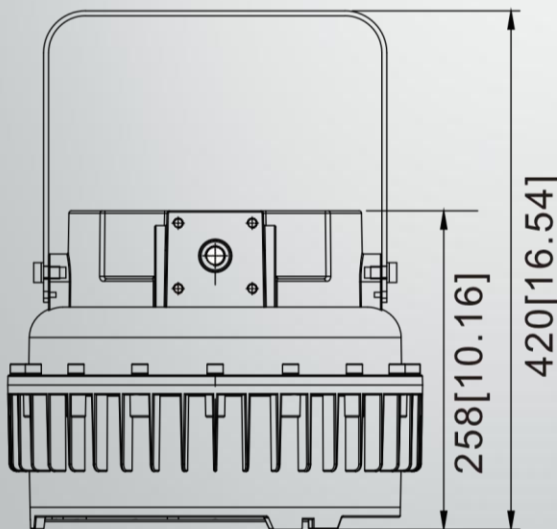
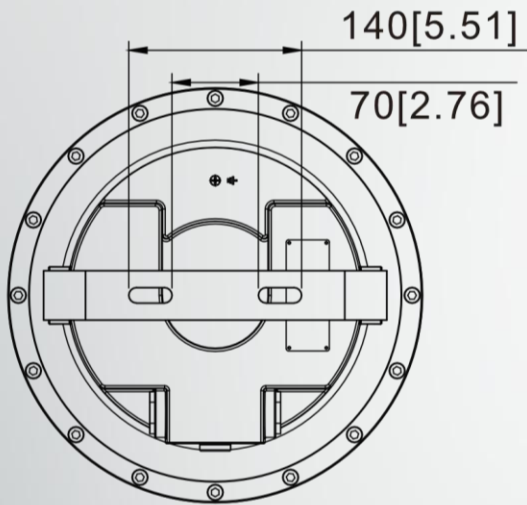


ATEX Lighting



Atex Zone 1 - Explosion
Proof High Bay | 80W |
150W | 200W

Dimension (150W & 200W)

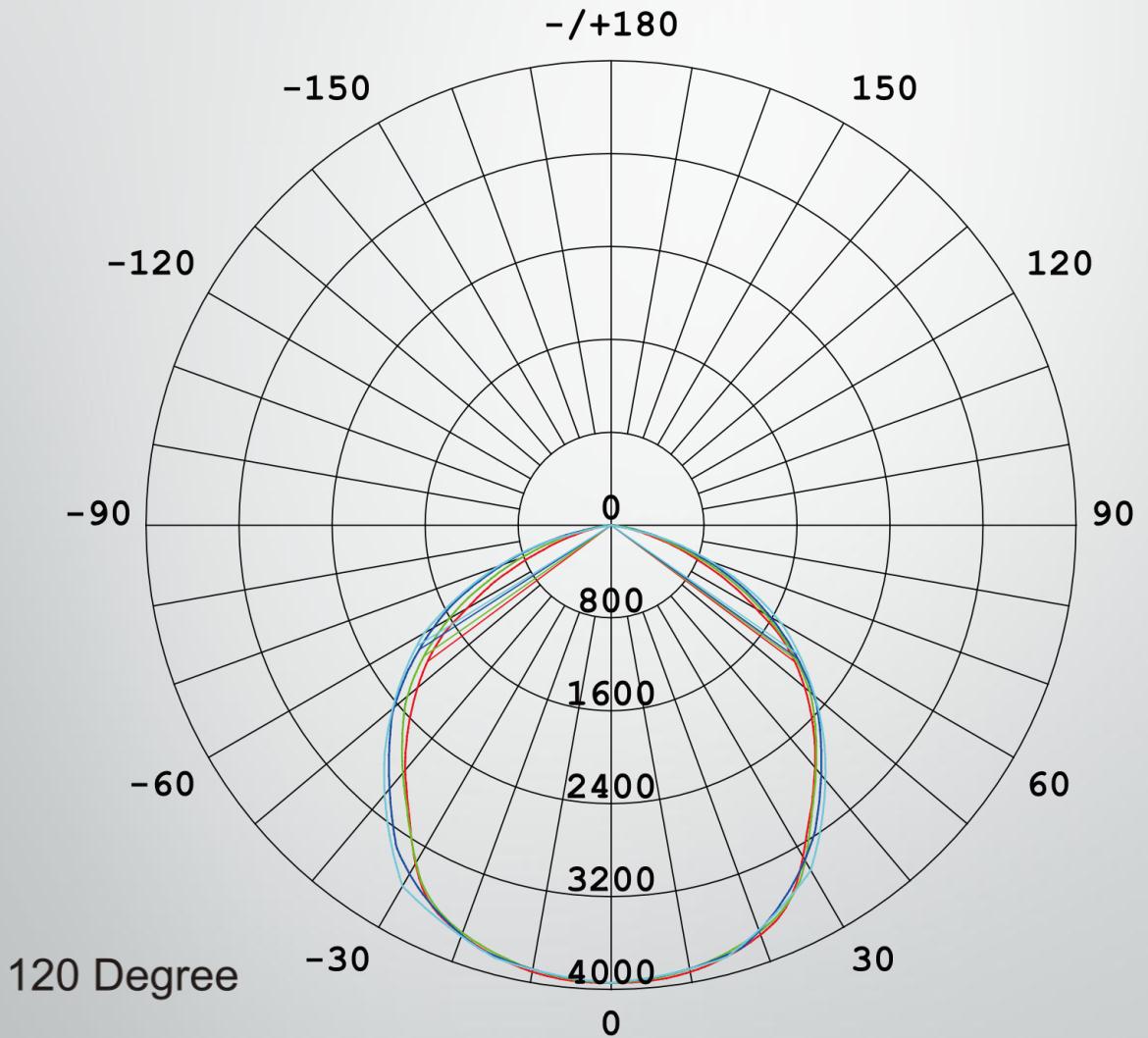


ATEX Lighting



**Atex Zone 1 - Explosion
Proof High Bay | 80W |
150W | 200W**

Photometric



AVERAGE BEAMANGLE(50%): 110.1 DEG

UNIT: cd

- C0/180, 106.7°
- C30/210, 108.9°
- C60/240, 111.4°
- C90/270, 113.4°



ATEX Lighting



Atex Zone 1 - Explosion Proof High Bay | 80W | 150W | 200W

Steps of Circuit Connection:

1. Ensure all the power is turned off.
2. Open the junction box.
3. Install 3/4" trade size conduit to 3/4" NPT adapter on the luminaire.
4. Connect the L, N, G from branch to the slots of terminal block, according to the marking on terminal block.
5. Close the power connecting cavity.

