



ATEX Lighting

Atex Zone 1 ,2 ,21 & 22 - Explosion Proof LED Flood Light





ATEX Lighting

Atex Zone 1 ,2 ,21 & 22 - Explosion Proof LED Flood Light | 100W - Increased Safety Version | 150W | 200W

Compliance

ATEX Standard:

100W (Increased Safety):

II 2G Ex db eb IIB T6...T4 Gb
II 2D Ex tb IIIC T80°C...T120°C Gb

150W & 200W:

II 2G Ex db IIB T6...T4 Gb
II 2D Ex tb IIIC T80°C...T120°C Gb

IECEx Standard:

100W (Increased Safety):

Ex db eb IIB T6...T4 Gb
Ex tb IIIC T80°C...T120°C Gb

150W & 200W:

Ex db IIB T6...T4 Gb
Ex tb IIIC T80°C...T120°C Gb

Gas: Zone 1&2

Dust: Zone 21&22 IP66





ATEX Lighting

**Atex Zone 1 ,2 ,21 & 22 -
Explosion Proof LED Flood Light |
100W - Increased Safety Version |
150W | 200W**

Product Description

Atex Zone 1 - Explosion Proof LED Flood Light | 100W | 150W | 200W is a powerful and durable lighting solution engineered for hazardous and high-risk environments where explosive gases, vapours, or combustible dusts may be present. Designed for ATEX Zone 1 and Zone 21 applications, this flameproof LED floodlight range is fully certified to ATEX and IECEx standards, delivering maximum safety, performance, and long-term reliability.

The 100W version is flameproof and also features Increased safety protection (Ex db eb), making it ideal for installations where enhanced electrical safety is required, while the 150W and 200W models are fully flameproof (Ex db) for high-power hazardous area lighting.

Warranty

5 Year Standard Warranty





ATEX Lighting

Atex Zone 1 ,2 ,21 & 22 - Explosion Proof LED Flood Light | 100W - Increased Safety Version | 150W | 200W

Wattage

100W - Increased Safety
Version | 150W | 200W

Voltage

200-250V AC

Lumens Per Watt

140LM/W

Lifespan

150,000 Hours

IP Rating

Ip66

IK Rating

IK10

CRI

>70

Colour

5000k

Beam Angle

90°





ATEX Lighting

Atex Zone 1 ,2 ,21 & 22 - Explosion Proof LED Flood Light | 100W - Increased Safety Version | 150W | 200W

Dimensions

100W: 412.9mm x 282mm x 98.5mm

150W & 200W: 483mm x 352mm x 113mm

Operating Temperature

-40 °C to +40°C

Applications

perfect for use in Wastewater treatment, oil and gas refineries, drilling rigs, petrochemical facilities, food and beverage facilities, tunnels, outdoor or indoor mounted general area lighting, and where flammable vapours, gases, ignitable dusts, fibres or flying's are present.

Certificates

CE, RoHS, ATEX, IECEx

Warranty

5-Year Warranty





ATEX Lighting

Atex Zone 1 ,2 ,21 & 22 - Explosion Proof LED Flood Light | 100W - Increased Safety Version | 150W | 200W

Dimensions

100W: 412.9mm x 282mm x 98.5mm

150W & 200W: 483mm x 352mm x 113mm

Operating Temperature

-40 °C to +40°C

Applications

perfect for use in Wastewater treatment, oil and gas refineries, drilling rigs, petrochemical facilities, food and beverage facilities, tunnels, outdoor or indoor mounted general area lighting, and where flammable vapours, gases, ignitable dusts, fibres or flying's are present.

Certificates

CE, RoHS, ATEX, IECEx

Warranty

5-Year Warranty

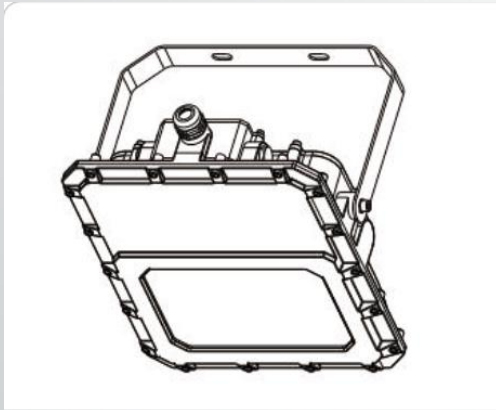




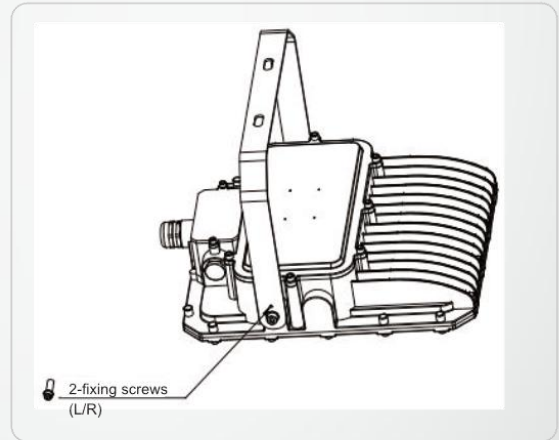
ATEX Lighting

**Atex Zone 1 ,2 ,21 & 22 -
Explosion Proof LED Flood Light |
100W - Increased Safety Version |
150W | 200W**

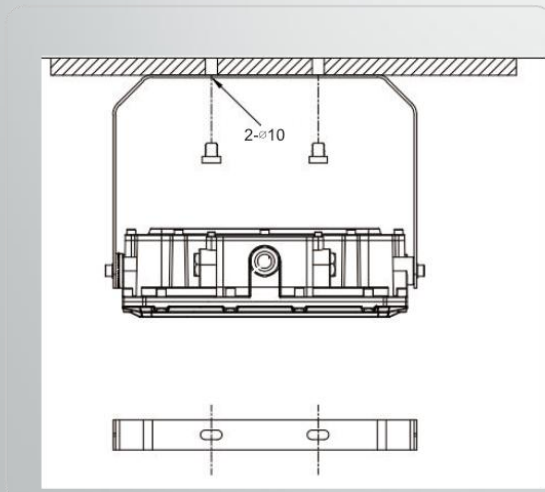
Ceiling Mounting



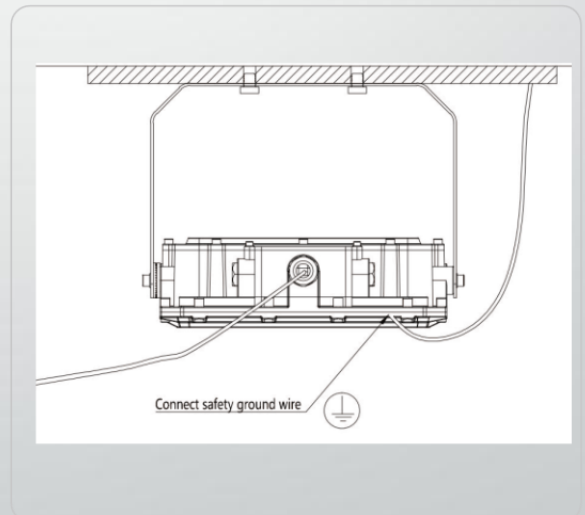
Step 1: Fix two U-bracket screws as above.



Step 2: Fix two angle holder screws as shown.



Step 3: Install the $\varnothing 10$ expanded screws, match the bracket to the bolts, and tighten the nuts.



Step 4: Connect the AC cable. Black connects to L, white to N, green to grounding.



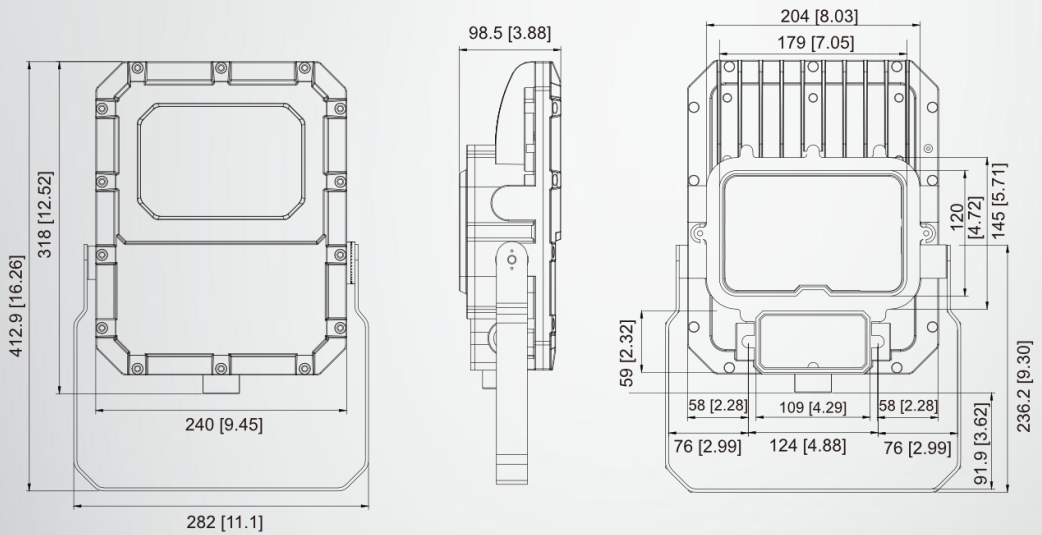


ATEX Lighting

**Atex Zone 1 ,2 ,21 & 22 -
Explosion Proof LED Flood Light |
100W - Increased Safety Version |
150W | 200W**

Ceiling Mounting

100w – Increased Safety



150w and 200w

