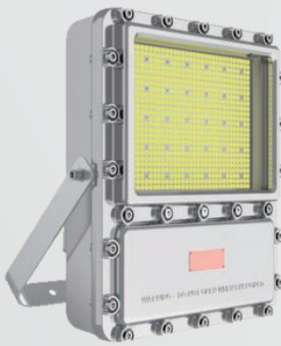




ATEX Lighting

Atex Zone 1 - Explosion Proof LED Meanwell Flood Light 300W | 400W | 500W





ATEX Lighting

Atex Zone 1 - Explosion Proof LED Meanwell Flood Light 300W | 400W | 500W

Compliance

ATEX Standard:

II 2 G Ex db eb IIB T6...T4 Gb
II 2 D Ex tb IIIC T80°C...T120°C Gb

IECEX Standard:

Ex db eb IIB T6...T4 Gb
Ex tb IIIC T80°C...T120°C Gb

Gas: Zone 1&2
Dust: Zone 21&22 IP66

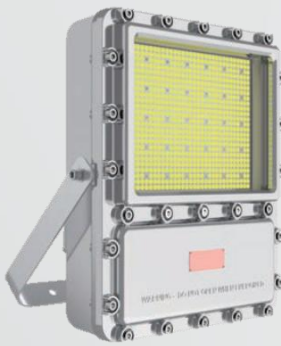


Application

Heavy Industrials Storage Facility

- Paper mills
- Wastewater Treatment Plants
- Loading Docks Platforms
- Offshore Environments
- Chemical Processing Facility
- Petrochemical Processing Facility
- Metallurgical Industry
- Coal Mine
- Food and Alcohol industry





ATEX Lighting

Atex Zone 1 - Explosion Proof LED Meanwell Flood Light 300W | 400W | 500W

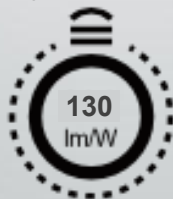
Product Description

Atex Zone 1 - Explosion Proof LED Meanwell Flood Light | 300W | 400W | 500W is a high-power hazardous area lighting solution engineered for extreme industrial environments where explosive gases, vapours, or combustible dusts may be present. Designed for ATEX Zone 1,2 and Zone 21,22 locations, this heavy-duty flood light range combines flameproof protection with increased safety (Ex db eb) across all wattages, ensuring maximum operational safety and reliability.

Ideal for oil and gas refineries, petrochemical plants, drilling rigs, wastewater treatment facilities, tunnels, food and beverage facilities, and indoor or outdoor general area lighting, this luminaire is also perfectly suited to marine and offshore environments, including ports, shipyards, and coastal installations. Fully certified to ATEX and IECEx standards, supplied with CE and RoHS approval, and backed by a 5-year warranty, this Meanwell-driven LED flood light delivers powerful, safe, and dependable hazardous area illumination.

Warranty

5 Year Standard Warranty





ATEX Lighting

Atex Zone 1 - Explosion Proof LED Meanwell Flood Light | 300W | 400W | 500W

Driver Brand

Meanwell

Wattage

300W | 400W | 500W

Voltage

100-277V AC

Lumens Per Watt

130LM/W

Lifespan

50,000 Hours

IP Rating

Ip66

IK Rating

IK10

CRI

>70

Colour

5000k

Beam Angle

90°





ATEX Lighting

Atex Zone 1 - Explosion Proof LED Meanwell Flood Light | 300W | 400W | 500W

Dimensions

450mm x 590mm x 167mm

Operating Temperature

-40 °C to +40°C

Applications

perfect for use in Wastewater treatment, oil and gas refineries, drilling rigs, petrochemical facilities, food and beverage facilities, tunnels, outdoor or indoor mounted general area lighting, and where flammable vapours, gases, ignitable dusts, fibres or flying's are present.

Certificates

CE, RoHS, ATEX, IECEx

Warranty

5-Year Warranty

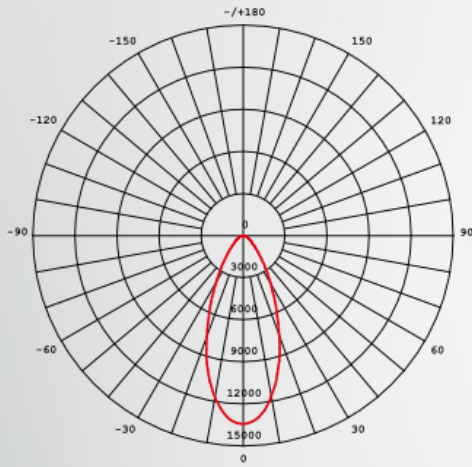




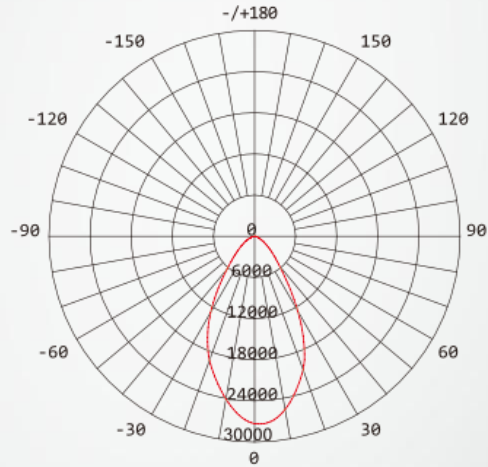
ATEX Lighting

Atex Zone 1 - Explosion Proof LED Meanwell Flood Light | 300W | 400W | 500W

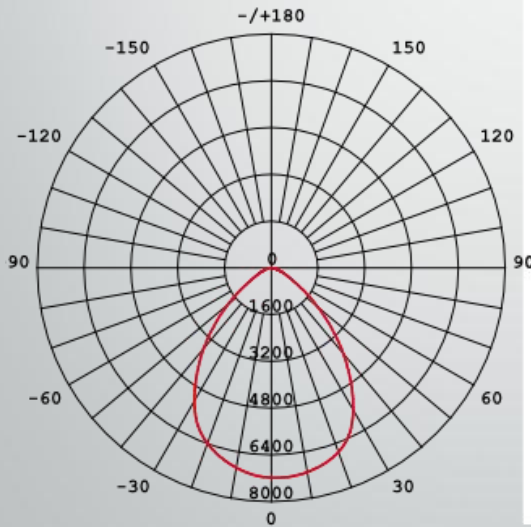
Photometry



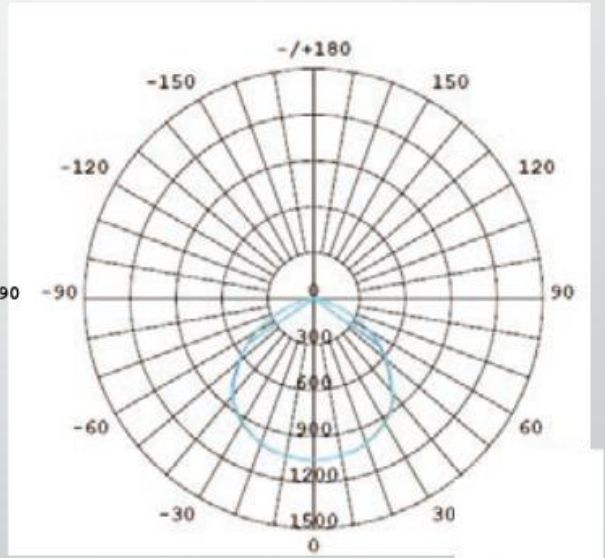
Beam angle: 40°



Beam angle: 60°



Beam angle: 90°



Beam angle: 120°



ATEX Lighting

Atex Zone 1 - Explosion Proof LED Meanwell Flood Light | 300W | 400W | 500W



590 [23.23]

