

ATEX Lighting



**Zone 1 ,2 ,21 & 22 - Explosion
Proof Plug And Socket | 16A |
32A | 63A | 125A**





ATEX Lighting

Zone 1 ,2 ,21 & 22 - Explosion Proof Plug And Socket | 16A | 32A | 63A | 125A

Compliance

IECEX Standard:

Ex db eb IIC T6... T5 Gb
EX tb IIIC T80° db IP66

Gas: Zone 1&2

Dust: Zone 21&22 IP66



Application

Heavy Industrials Storage Facility

- Paper mills
- Wastewater Treatment Plants
- Loading Docks Platforms
- Offshore Environments
- Chemical Processing Facility
- Petrochemical Processing Facility
- Metallurgical Industry
- Coal Mine
- Food and Alcohol industry





ATEX Lighting

Zone 1 ,2 ,21 & 22 - Explosion Proof Plug And Socket | 16A | 32A | 63A | 125A

Product Description

The Explosion Proof Plug and Socket range is a heavy-duty, high-performance solution designed for safely connecting and distributing electrical power in hazardous environments where explosive gases or combustible dusts may be present. Built for reliability and durability, these connectors ensure secure power connections in demanding industrial conditions.

Engineered with advanced db eb tb explosion protection, this range provides multiple layers of safety. The db flameproof enclosure contains any internal sparks or arcs, preventing ignition of surrounding gases, while eb increased safety ensures terminals and connections operate without sparking under normal conditions. tb protection ensures a sealed, dust-tight design, making the units suitable for use in areas with combustible dust.

Warranty

5 Year Standard Warranty





ATEX Lighting

Zone 1 ,2 ,21 & 22 - Explosion Proof Plug And Socket | 16A | 32A | 63A | 125A

Amperage

16A | 32A | 63A | 125A

Socket Cable Entry

16A - 3 Pin: 2x M25 x 1.5

16A 5 pin : 2x M40 x 1.5

32A 5 Pin: 2x M40 x 1.5

63A - 5 pin: 2x M50 x 1.5

125A - 5 series: 2x M63 x 1.5

IP Rating

IP66

Zones

gas: 1,2
dust: 21,22

Conformity Standards

IEC 60079-0, IEC60070-1,
IEC60079-7, IEC60079-31,
GB/T 3836.1, GB/T 3836.3,
GB/T3836.31





ATEX Lighting

Zone 1 ,2 ,21 & 22 - Explosion Proof Plug And Socket | 16A | 32A | 63A | 125A

Enclosure	Socket Enclosure: GRP, Resistent to 7J Impact and antistatic Plug Enclosure: Nylon (PA66)
Operating Temperature	-40° to 50°
Applications	Perfect for use in Wastewater treatment, oil and gas refineries, drilling rigs, petrochemical facilities, food and beverage facilities, tunnels, outdoor or indoor mounted general area lighting, and where flammable vapours, gases, ignitable dusts, fibres or flying's are present.
Certificates	CE, RoHS, ATEX, IECEx
Warranty	5 Year Warranty





ATEX Lighting

Zone 1 ,2 ,21 & 22 - Explosion Proof Plug And Socket | 16A | 32A | 63A | 125A

Dimensions

16A - 3 Pin (1P+N+PE):

Plug: \varnothing 72mm x 170mm

Socket: 90mm x 138mm x 223mm

16A - 5 Pin (3P+N+PE):

Plug: \varnothing 84mm x 187mm

Socket: 110mm x 147mm x 236mm

32A - 5 Pin (3P+N+PE):

Plug: \varnothing 100mm x 249mm

Socket: 120mm x 166mm x 285mm

63A - 5 Pin: (3P+N+PE):

Plug: \varnothing 110mm x 272mm

Socket: 200mm x 226mm x 370mm

125A - 5 Pin (3P+N+PE):

Plug: \varnothing 120mm x 310mm

Socket: 234mm x 258mm x 430mm



ATEX Lighting

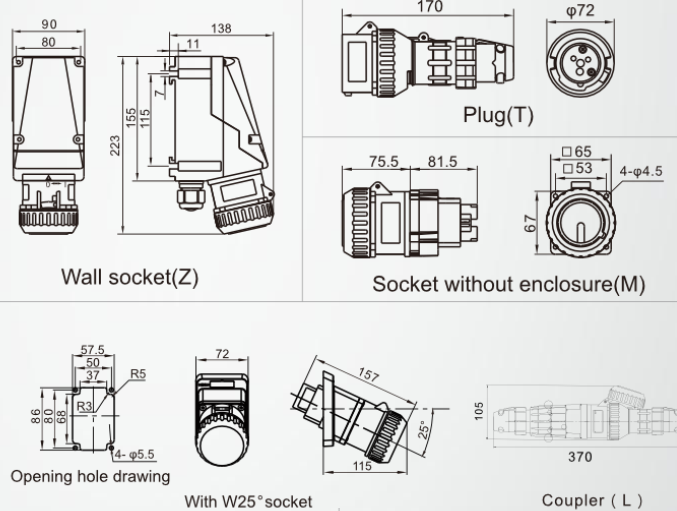


Zone 1 ,2 ,21 & 22 - Explosion Proof Plug And Socket | 16A | 32A | 63A | 125A

Product Version (16A/3P)

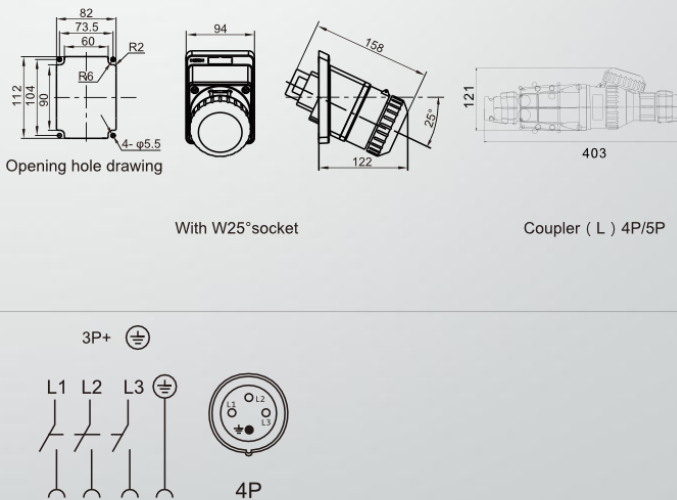
EX-16A/3P	
(Z) (T) (M)	200~250V 1P+N+PE Blue
Wiring Diagram (16A/3P) 	
1P+N+PE	

Outline and Installation Dimension (16A/3P)



Product Version (16A/5P)

EX-16A/5P	
(Z) (T) (M)	200~250V 3P+N+PE Blue
Wiring Diagram (16A/5P) 	
5P	
4P	



ATEX Lighting



Zone 1 ,2 ,21 & 22 - Explosion Proof Plug And Socket | 16A | 32A | 63A | 125A

Product Version (32A/5P)

EX-32A-5P



(Z)



200~250V
3P+N+PE
Blue



(T)

Wiring Diagram (32A/5P)

3P+N+⊕



(M)



5P



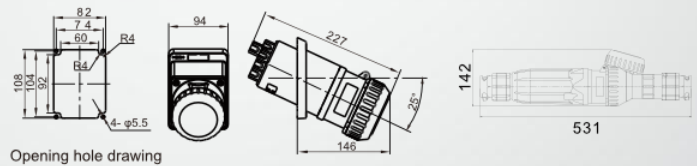
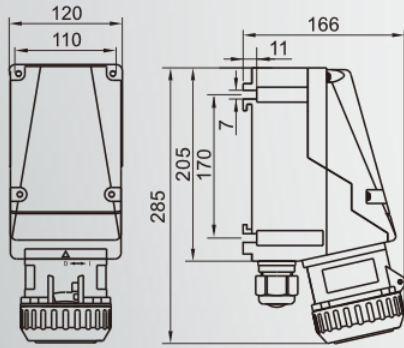
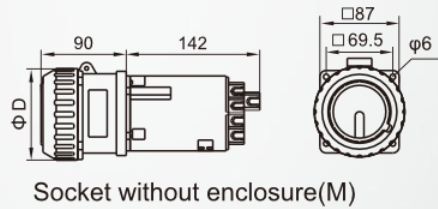
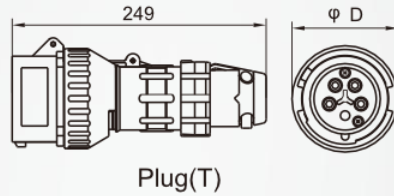


ATEX Lighting

Zone 1 ,2 ,21 & 22 - Explosion Proof Plug And Socket | 16A | 32A | 63A | 125A

Outline and Installation Dimension (32A/4(5)P)

Pole	ϕ D(mm)
3P+ ⏏	95
3P+N+ ⏏	100



With W25° socket


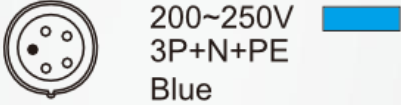


Coupler (L) 4P/5P



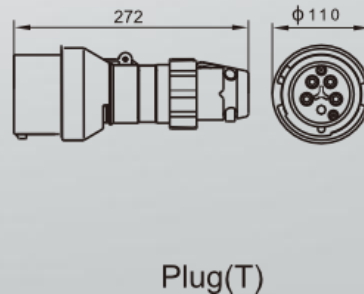
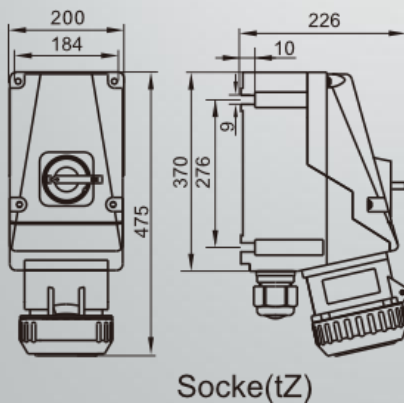
ATEX Lighting



Zone 1 ,2 ,21 & 22 - Explosion Proof Plug And Socket | 16A | 32A | 63A | 125A

EX-63A/5P	
 <p>Wall socket(Z)</p>	 <p>200~250V 3P+N+PE Blue</p>
 <p>Plug(T)</p>	<p>Wiring Diagram (63A/5P)</p> <p>3P+N+⊕</p> <p>L1 L2 L3 N ⊕</p>  <p>5P</p>

Outline and Installation Dimension (63A/4(5)P)



ATEX Lighting



Zone 1 ,2 ,21 & 22 - Explosion Proof Plug And Socket | 16A | 32A | 63A | 125A

EX-125A/5P



Wall socket(Z)



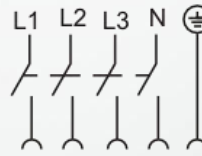
Plug(T)



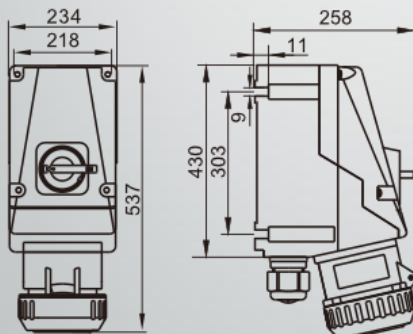
220~240V
3P+N+PE
Blue



3P+N+⊕



5P



Socket(tZ)



Plug(T)

